

Surge Switch

Disconnect Switch

The Surge Switch is an extremely compact, high performance, manually operated, non-fused switch. It is specifically designed to withstand the high surge current of 200kA with an 8x20 μ s waveform seen in today's transient voltage surge protection device (SPD) applications. Mersen's Surge Switch utilizes a unique contact design that actually clamp contacts tighter during a surge.

Features/Benefits:

- Only surge rated switch available today
- Compact footprint
- Extremely reliable
- Defeatable pistol handles automatically relatch when panel door is closed, no tool necessary to reset latch
- Direct mount handle option

Applications:

- Surge protective device (SPD) panels up to 600VAC, 200kA 8x20 μ s waveform

Catalog Numbers

Catalog No.	Description
SS200	3-pole, surge switch, 200kA 8x20 μ s
SS200-4	4-pole, surge switch, 200kA 8x20 μ s
HADSS200	Direct mount black handle
HGPB	External black handle, NEMA 1,3R, 12 (IEC IP 54), defeatable
HGPR	External red handle, NEMA 1,3R,12 (IEC IP 54), defeatable
HGPB4	External black handle, NEMA 1,3R,12,4X (IEC IP 65), defeatable
HGPR4	External red handle, NEMA 1,3R,12,4,4X (IEC IP 65), defeatable
SG200-10	Shaft, 7.9 in (200 mm)
SG320-10	Shaft, 12.6 in (320 mm)
SG400-10	Shaft, 15.7 in (400 mm)
TS200SS	Terminal Shield, 3-pole
TS2004SS	Terminal Shield, 4-pole



Ratings:

Volts : 600V AC

Amps : 600A

Surge Rating

: 200kA 8x20 μ s wave form

Approvals:

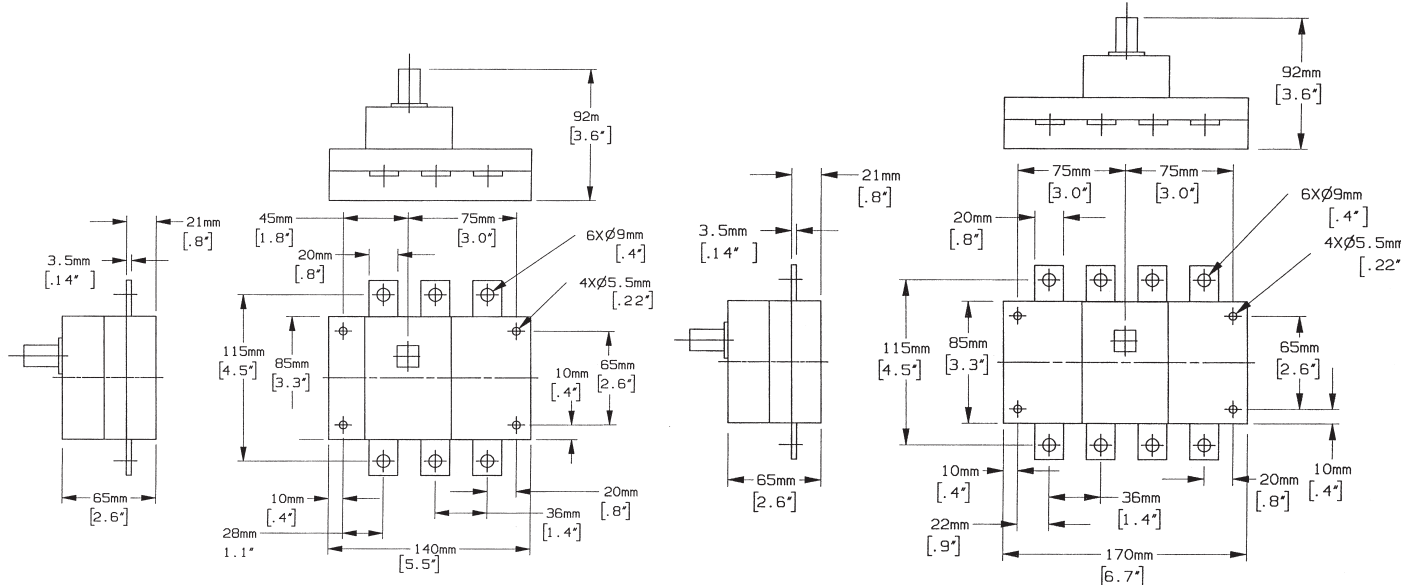
- UL Listed Guide NRNT, File E224922



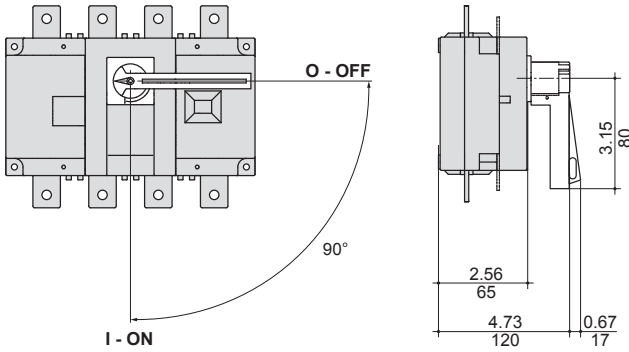
Surge Switch

Dimensions (dual dimensions: in/mm)
SS200

SS200-4

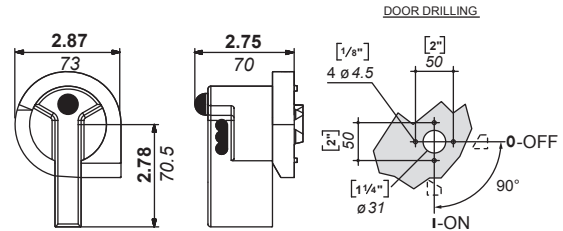


HADSS200



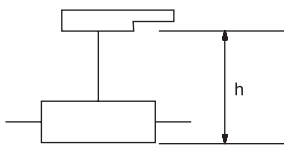
PISTOL HANDLE TYPE G

HGPB
HGPR
HGPB4
HGPR4



PISTOL HANDLE TYPE G

SS200/SS200-4



Shaft Length		h Minimum	Dimension	h Maximum	Dimension
in	mm	in	mm	in	mm
7.9	200	4.88	124	9.29	236
12.6	320	4.88	124	14.01	356
15.7	400	4.88	124	17.16	436