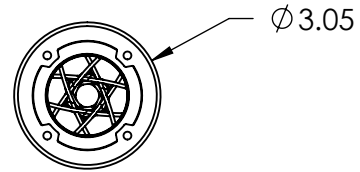
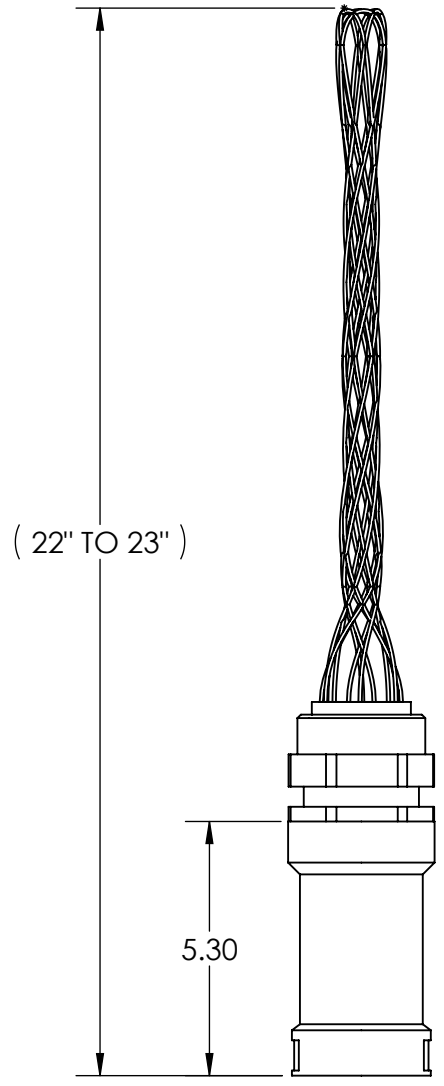


This drawing is the property of MELTRIC Corporation, Franklin (Milwaukee) Wisconsin, USA. Any unauthorized copying of this drawing by any means, ENG/RD/06 REV: 20 ISSUED DATE: 1/15/11 or disclosure of its contents to any person not authorized by MELTRIC Corporation or its agents to receive it, is strictly prohibited.



PART NUMBER	CABLE RANGE
45-4A783-A	1.250-1.375"
45-4A783-B	1.312-1.437"
45-4A783-C	1.438-1.562"
45-4A783-D	1.562-1.688"

TOLERANCES UNLESS OTHERWISE SPECIFIED				DRAWING TITLE:	
MACHINED SURFACES $\sqrt[125]{\text{MAX}}$	<b>ENGLISH</b> <b>0.X ±0.05</b> <b>0.XX ±0.01</b> <b>0.XXX ±0.005</b>			SP HANDLE WITH CORD GRIP	
GROUND SURFACES $\sqrt[32]{\text{MAX}}$		DATE:	SCALE	POLY HANDLE, SS MESH	
ANGLE TOLERANCE ±1° REMOVE BURRS & SHARP EDGES TO .015 MAX.		SHEET:	1 OF 1	PART NUMBER	REVISION
DIMENSIONS SHOWN IN OVALS ARE INSPECTION DIMENSIONS.		45-4A783-x			