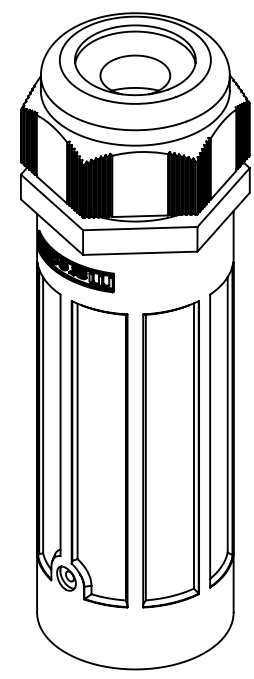
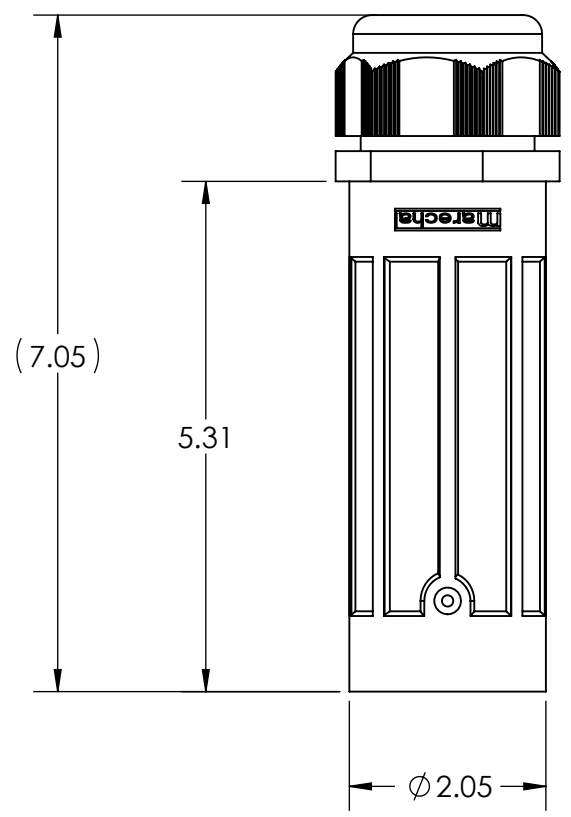
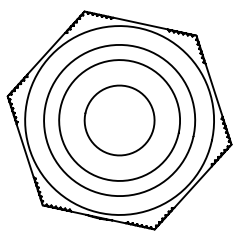


This drawing is the property of MELTRIC Corporation, Franklin (Milwaukee), Wisconsin, USA. Any unauthorized copying of this drawing by any means, ENG/RD/06 REV: 20 ISSUED DATE: 1/15/11 or disclosure of its contents to any person not authorized by MELTRIC Corporation or its agents to receive it, is strictly prohibited.



PART NUMBER	CABLE OUTSIDE DIA.
45-3A753	.550-1.000"
45-3A783	.700-1.260"

TOLERANCES UNLESS OTHERWISE SPECIFIED				
MACHINED SURFACES $\sqrt[125]{\text{MAX}}$ GROUND SURFACES $\sqrt[32]{\text{MAX}}$ ANGLE TOLERANCE $\pm 1^\circ$ REMOVE BURRS & SHARP EDGES TO .015 MAX. DIMENSIONS SHOWN IN OVALS ARE INSPECTION DIMENSIONS.	ENGLISH 0.X ± 0.05 0.XX ± 0.01 0.XXX ± 0.005			DRAWING TITLE: CS1000 HANDLE - NORMAL DUTY (100LB GRIP)
		DRAWN: _____ DATE: _____	APPROVED: _____ SCALE: NTS	MATERIAL: _____
		SHEET: 1 OF 1	PART NUMBER: 45-3A7x3	REVISION: _____