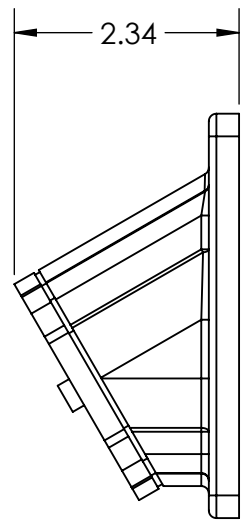
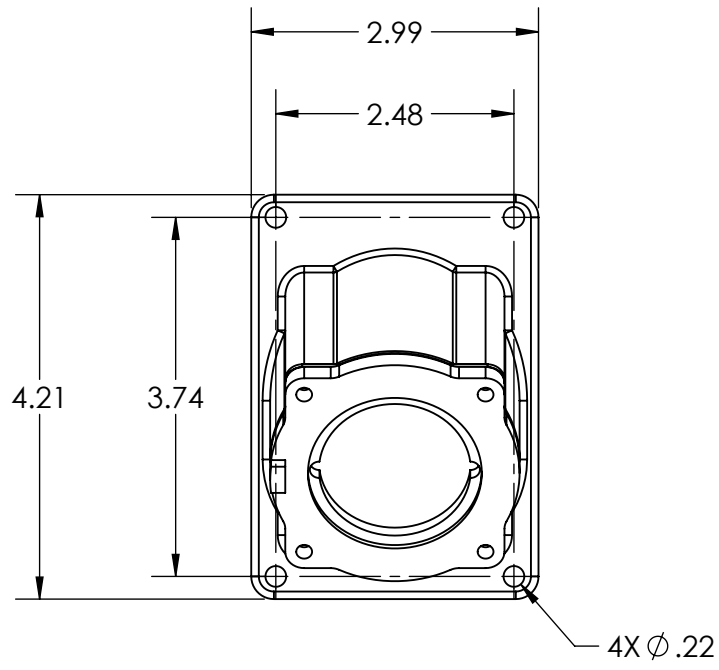
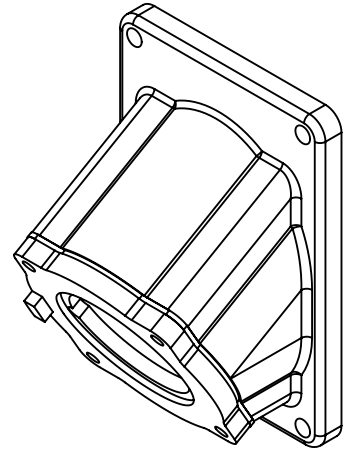
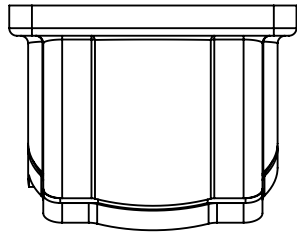


This drawing is the property of MELTRIC Corporation, Franklin (Milwaukee) Wisconsin, USA. Any unauthorized copying of this drawing by any means, ENG/RD/06 REV: 20 ISSUED DATE: 1/15/11 or disclosure of its contents to any person not authorized by MELTRIC Corporation or its agents to receive it, is strictly prohibited.

G F E D C B A



1

2

3

4

5

6

TOLERANCES UNLESS OTHERWISE SPECIFIED				DRAWING TITLE:	
MACHINED SURFACES $\sqrt[125]{\text{MAX}}$	ENGLISH			CS1000 30° ANGLE WITH ADAPTER PLATE	
GROUND SURFACES $\sqrt[32]{\text{MAX}}$	0.X ±0.05	DRAWN	APPROVED	SCALE	MATERIAL:
ANGLE TOLERANCE ±1°	0.XX ±0.01	DATE:		NTS	PART NUMBER
REMOVE BURRS & SHARP EDGES TO .015 MAX.	0.XXX ±0.005	SHEET:			
DIMENSIONS SHOWN IN OVALS ARE INSPECTION DIMENSIONS.		1 OF 1		45-3A027	