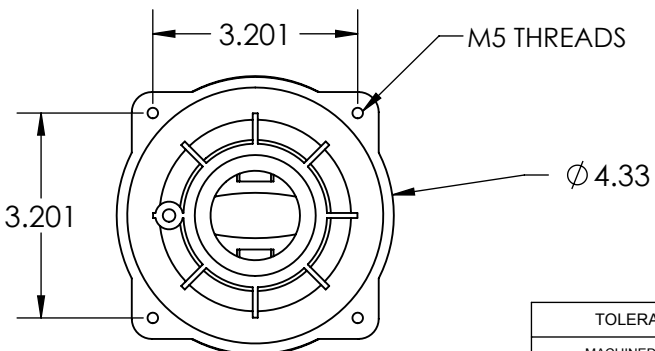
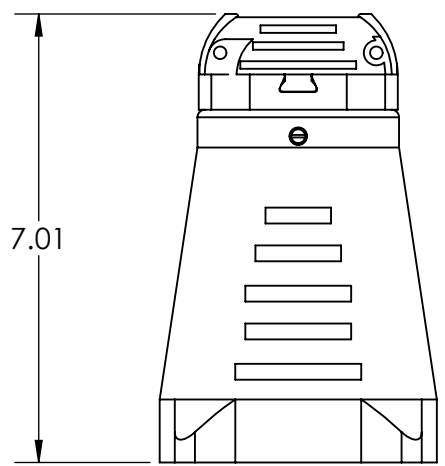
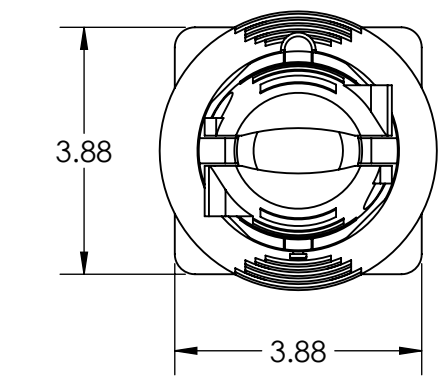
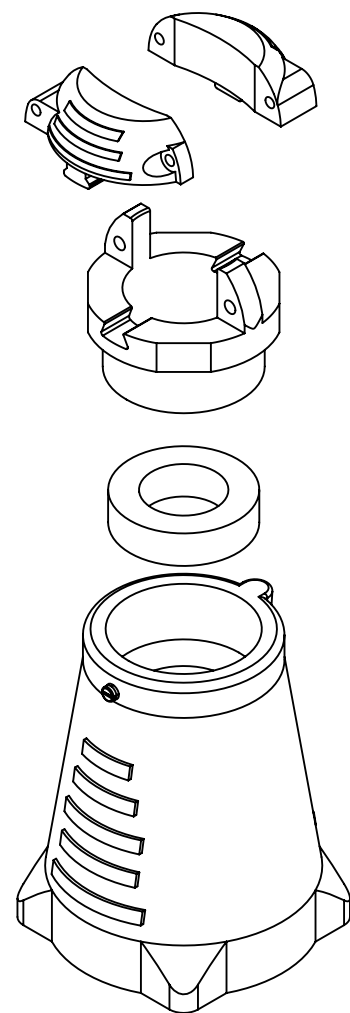


This drawing is the property of MELTRIC Corporation, Franklin (Milwaukee) Wisconsin, USA. Any unauthorized copying of this drawing by any means, ENG/RD/06 REV: 20 ISSUED DATE: 11/15/11 or disclosure of its contents to any person not authorized by MELTRIC Corporation or its agents to receive it, is strictly prohibited.



PART NUMBER	CABLE RANGE
555POD25	.70" - 1.00"
555POD35	1.00" - 1.375"
555POD45	1.375" - 1.750"



TOLERANCES UNLESS OTHERWISE SPECIFIED		 <b>MELTRIC</b> A COMPANY OF MARÉCHAL ÉLECTRIC	
MACHINED SURFACES #error: broken link GROUND SURFACES #error: broken link ANGLE TOLERANCE ±1° REMOVE BURRS & SHARP EDGES TO .015 MAX.			
ENGLISH 0.X ±0.05 0.XX ±0.01 0.XXX ±0.005		SCALE: NTS	MATERIAL: SANTOPRENE
		SHEET: 1 OF 1	PART NUMBER: 555PODxx REVISION: _____