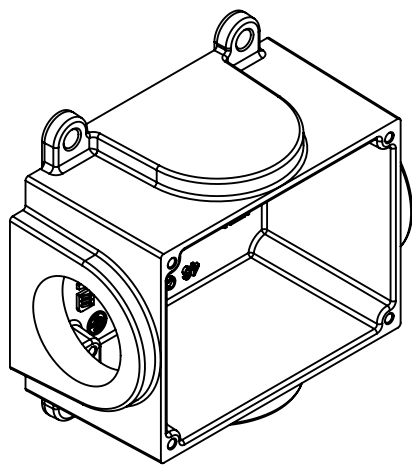
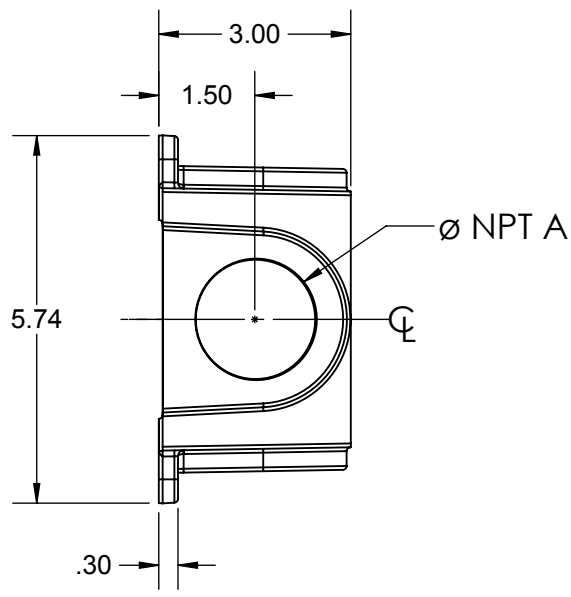
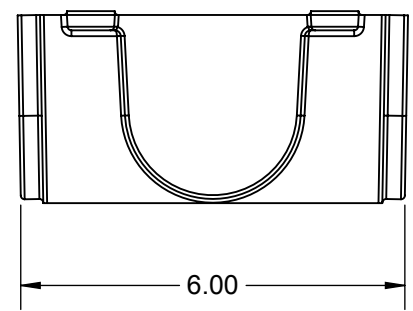


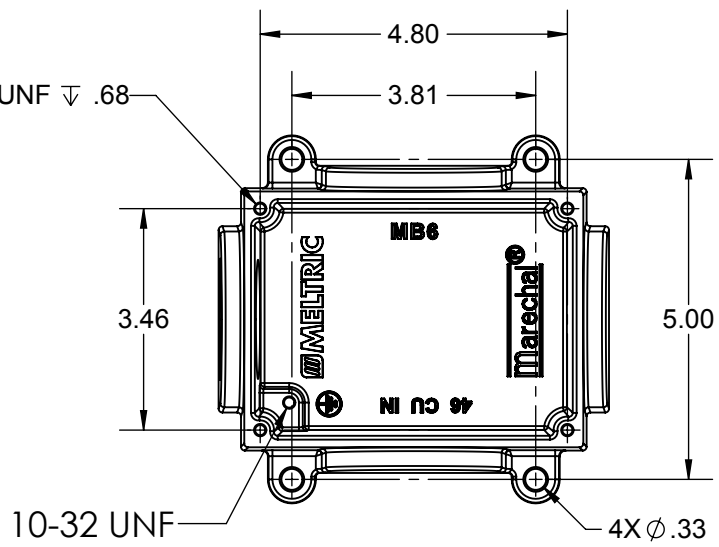
This drawing is the property of MELTRIC Corporation, Franklin (Milwaukee) Wisconsin, USA. Any unauthorized copying of this drawing by any means, ENG/RD/06 REV: 20 ISSUED DATE: 11/15/11 or disclosure of its contents to any person not authorized by MELTRIC Corporation or its agents to receive it, is strictly prohibited.

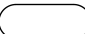



PART #	NPT SIZE A
7T4F0N10	1" NPT
7T4F0N12	1-1/4" NPT
7T4F0N15	1-1/2" NPT
7T4F0N20	2" NPT



4X 10-32 UNF ∇ .68



TOLERANCES UNLESS OTHERWISE SPECIFIED	
MACHINED SURFACES #error: broken link	ENGLISH 0.X \pm 0.05 0.XX \pm 0.01 0.XXX \pm 0.005
GROUND SURFACES #error: broken link	
ANGLE TOLERANCE \pm 1°	
REMOVE BURRS & SHARP EDGES TO .015 MAX.	
 DIMENSIONS SHOWN IN OVALS ARE INSPECTION DIMENSIONS.	

 A company of MARECHAL ELECTRIC GROUP		DRAWING TITLE:	
		METAL JUNCTION BOX	
DRAWN: _____ DATE: _____	APPROVED: _____ SCALE: NTS	MATERIAL: PAINTED METAL	
SHEET: 1 OF 1	PART NUMBER: 7T4F0Nxx	REVISION: _____	