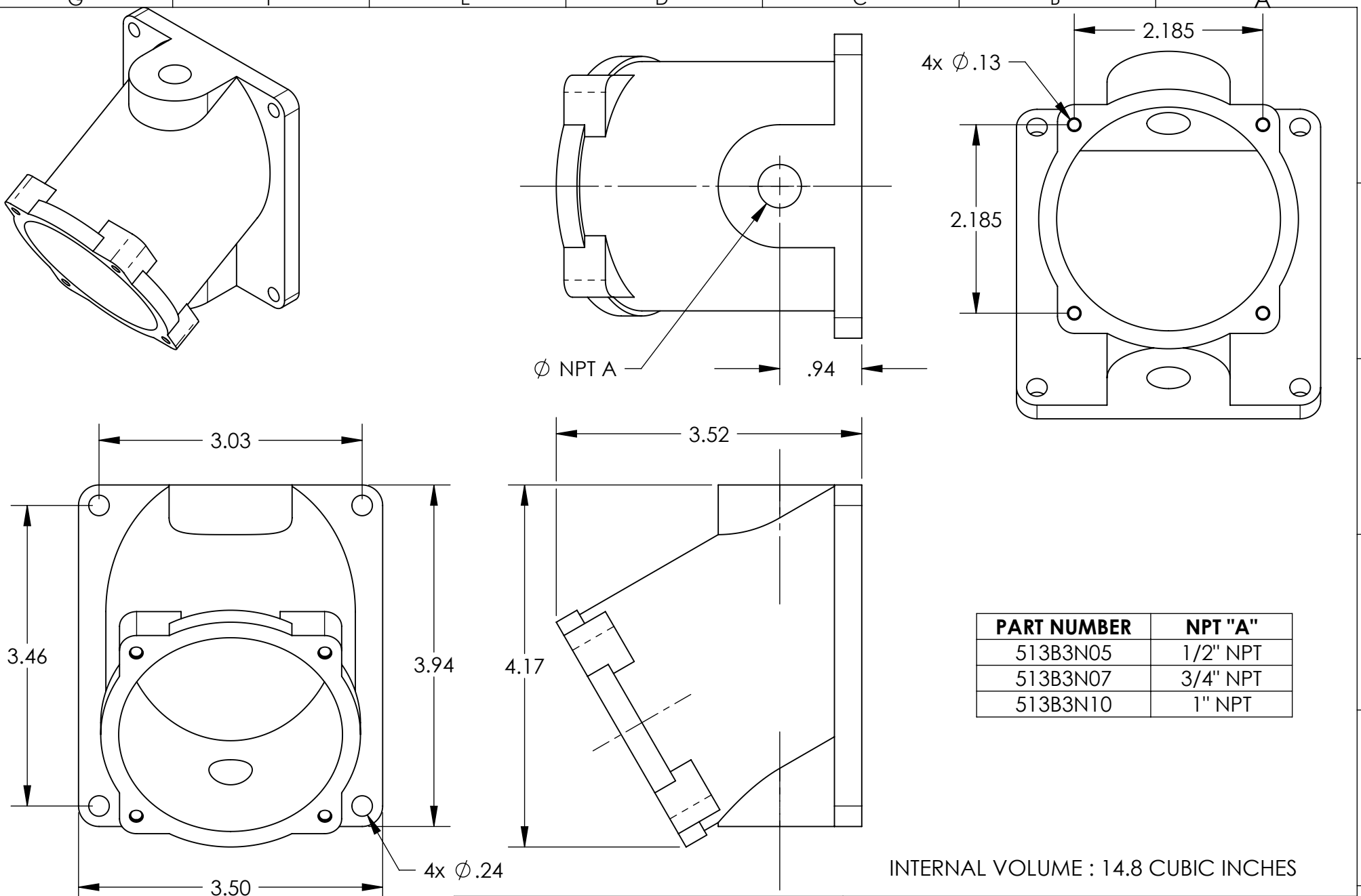
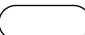


This drawing is the property of MELTRIC Corporation, Franklin (Milwaukee), Wisconsin, USA. Any unauthorized copying of this drawing by any means, ENG/RD/06 REV: 20 ISSUED DATE: 1/15/11 or disclosure of its contents to any person not authorized by MELTRIC Corporation or its agents to receive it, is strictly prohibited.



INTERNAL VOLUME : 14.8 CUBIC INCHES

TOLERANCES UNLESS OTHERWISE SPECIFIED

MACHINED SURFACES $\sqrt[125]{\text{MAX}}$	<b>ENGLISH</b> <b>0.X ±0.05</b> <b>0.XX ±0.01</b> <b>0.XXX ±0.005</b>
GROUND SURFACES $\sqrt[32]{\text{MAX}}$	
ANGLE TOLERANCE ±1°	
REMOVE BURRS & SHARP EDGES TO .015 MAX.	
 DIMENSIONS SHOWN IN OVALS ARE INSPECTION DIMENSIONS.	

**MELTRIC**  
A COMPANY OF MARECHAL ELECTRIC

DRAWN	APPROVED	DRAWING TITLE:	
DATE:		SCALE	MATERIAL:
		NTS	BLUE POLY
SHEET:	PART NUMBER		REVISION
1 OF 1	513B3Nxx		