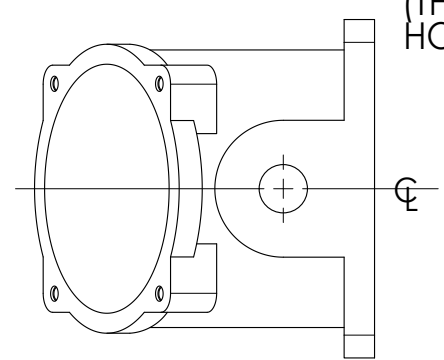
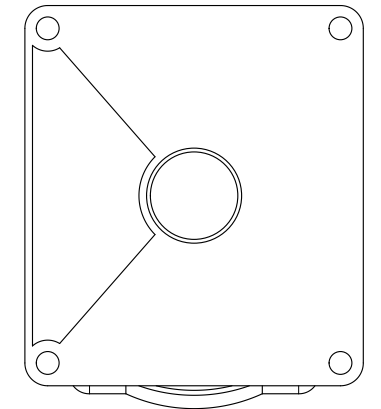
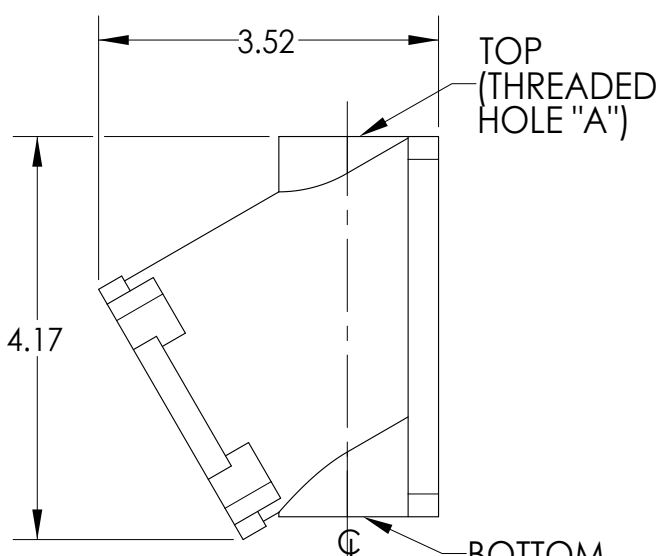
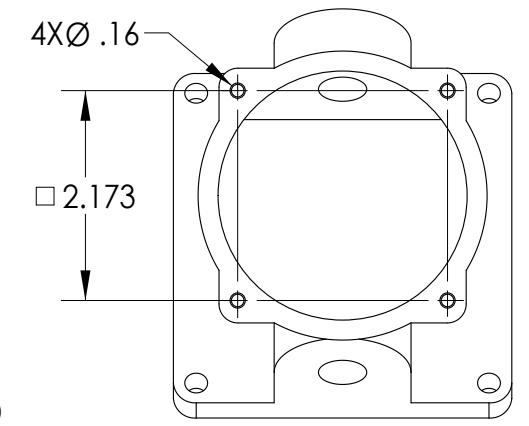
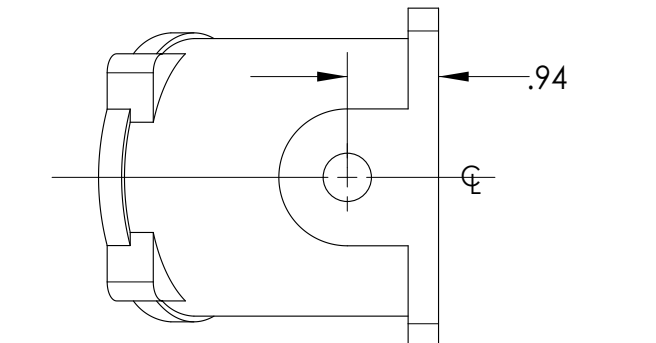
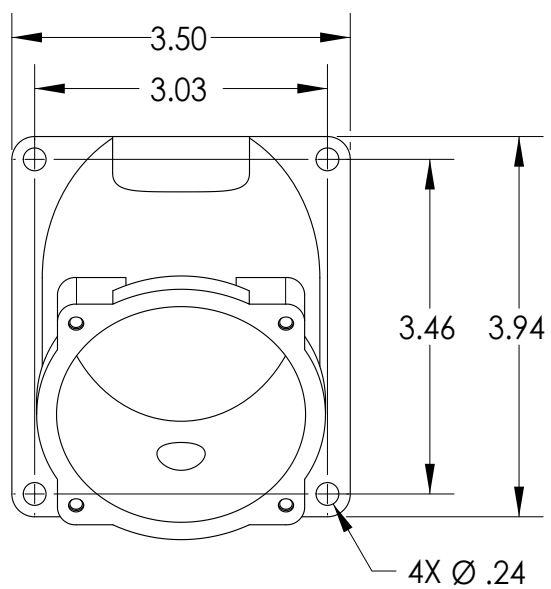




This drawing is the property of MELTRIC Corporation, Franklin (Milwaukee), Wisconsin, USA. Any unauthorized copying of this drawing by any means, or disclosure of its contents to any person not authorized by MELTRIC Corporation or its agents to receive it, is strictly prohibited.

G F E D C B A



PART NUMBER	THREAD "A"	THREAD "B"
22-6A023-1-T	1" NPT	25mm
22-6A023-1-B	25mm	1" NPT

INTERNAL VOLUME : 14.8 CUBIC INCHES

TOLERANCES UNLESS OTHERWISE SPECIFIED MACHINED SURFACES $\sqrt[125]{\text{MAX}}$ GROUND SURFACES $\sqrt[32]{\text{MAX}}$ ANGLE TOLERANCE $\pm 1^\circ$ REMOVE BURRS & SHARP EDGES TO .015 MAX.  DIMENSIONS SHOWN IN OVALS ARE INSPECTION DIMENSIONS.		ENGLISH $0.X \pm 0.05$ $0.XX \pm 0.01$ $0.XXX \pm 0.005$		 A COMPANY OF MARÉCHAL ELECTRIC	
DRAWN: _____ DATE: _____	APPROVED: _____ DATE: _____	DRAWING TITLE: DXN60 POLY 30° WALL BOX		MATERIAL: BLACK POLY	
SHEET: 1 OF 1		SCALE: NTS		PART NUMBER: 22-6A023-1-x	REVISION: _____