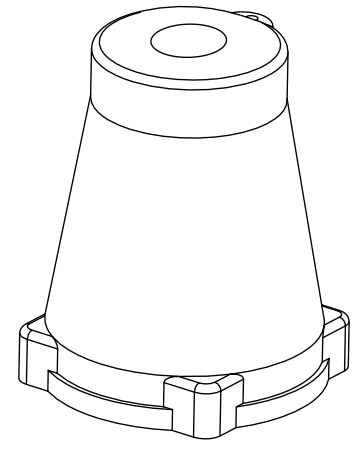
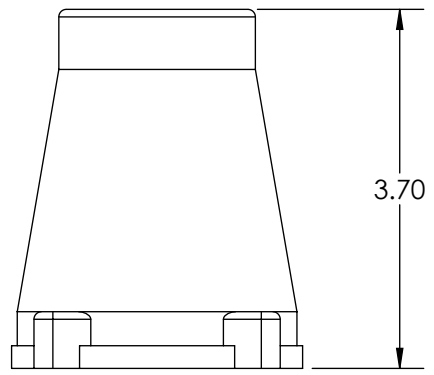


This drawing is the property of MELTRIC Corporation, Franklin (Milwaukee) Wisconsin, USA. Any unauthorized copying of this drawing by any means, ENGR/RD/06 REV: 20 ISSUED DATE: 1/15/11 or disclosure of its contents to any person not authorized by MELTRIC Corporation or its agents to receive it, is strictly prohibited.

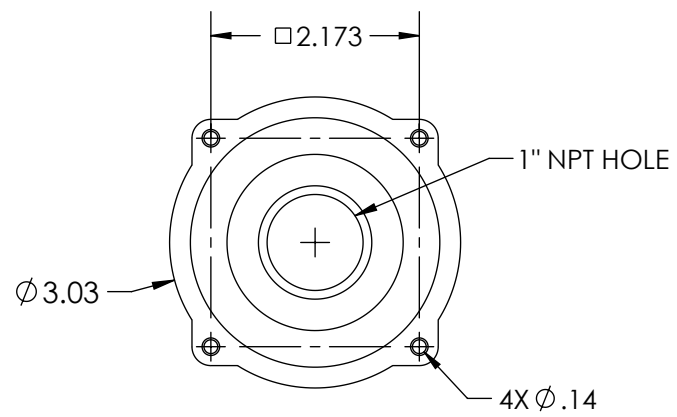
G F E D C B A

1



2

3



4

5

|  |  |               |                         |                              |  |
|--|--|---------------|-------------------------|------------------------------|--|
| TOLERANCES UNLESS OTHERWISE SPECIFIED                          |  |               |                         | DRAWING TITLE:               |  |
| MACHINED SURFACES $\sqrt[125]{\text{MAX}}$                     | <b>ENGLISH</b><br><b>0.X ±0.05</b><br><b>0.XX ±0.01</b><br><b>0.XXX ±0.005</b> |               |                         | DSN60 POLY HANDLE WITH 1"NPT |  |
| GROUND SURFACES $\sqrt[32]{\text{MAX}}$                        |  | DATE:         | SCALE: NTS              | MATERIAL: BLACK POLY         |  |
| ANGLE TOLERANCE ±1°<br>REMOVE BURRS & SHARP EDGES TO .015 MAX. |  | SHEET: 1 OF 1 | PART NUMBER: 22-6A013-1 |                              |  |
| DIMENSIONS SHOWN IN OVALS ARE INSPECTION DIMENSIONS.           |  |               |                         |                              |  |

6