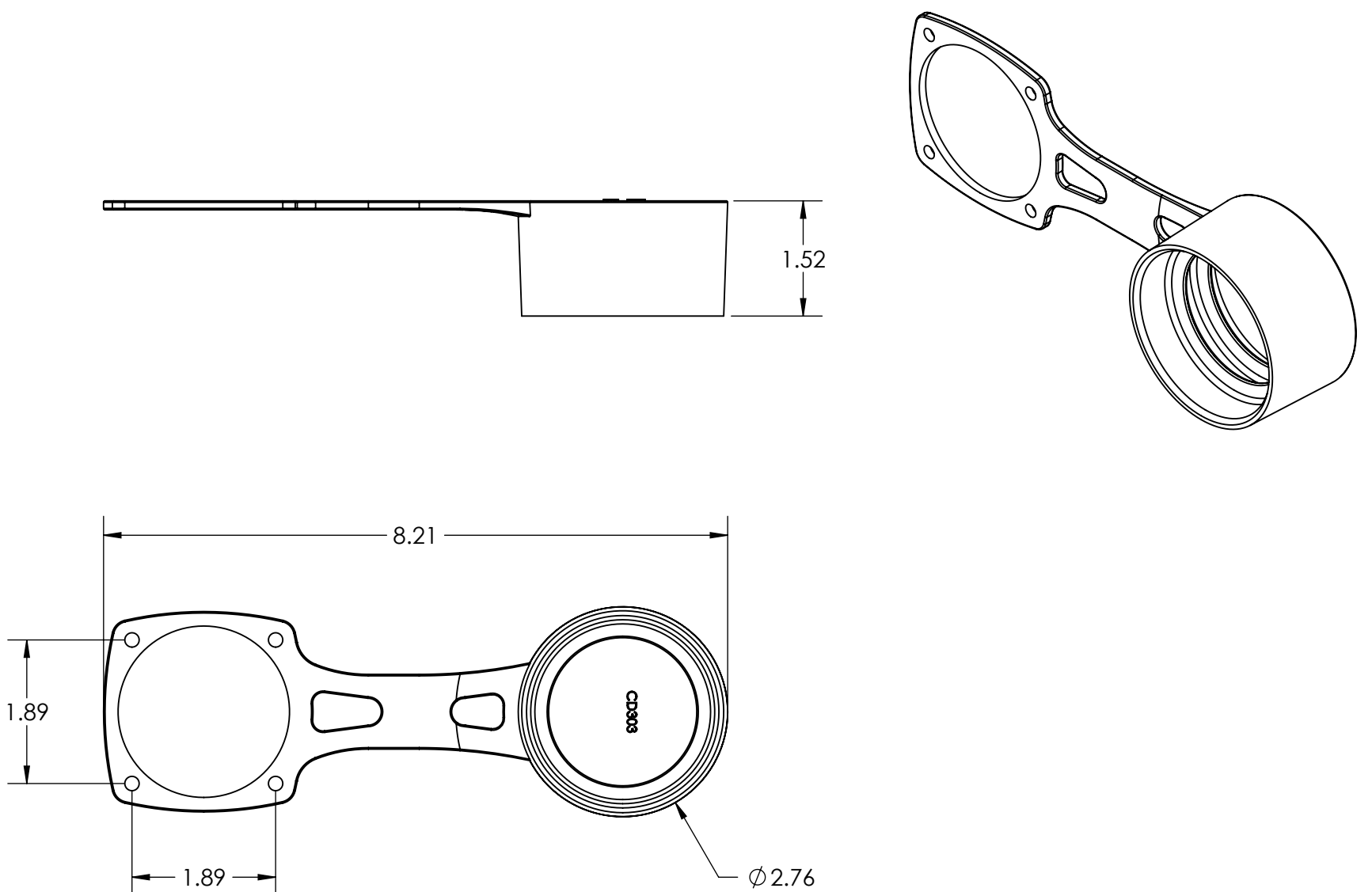


This drawing is the property of MELTRIC Corporation, Franklin (Milwaukee) Wisconsin, USA. Any unauthorized copying of this drawing by any means, ENG/RD/06 REV: 20 ISSUED DATE: 11/15/11 or disclosure of its contents to any person not authorized by MELTRIC Corporation or its agents to receive it, is strictly prohibited.



TOLERANCES UNLESS OTHERWISE SPECIFIED				DRAWING TITLE:	
MACHINED SURFACES $\sqrt[125]{\text{MAX}}$	ENGLISH 0.X ± 0.05 0.XX ± 0.01 0.XXX ± 0.005			DXN30 PROTECTIVE CAP	
GROUND SURFACES $\sqrt[32]{\text{MAX}}$		DATE:	SCALE	EPDM	
ANGLE TOLERANCE $\pm 1^\circ$	SHEET:	NTS	PART NUMBER		
REMOVE BURRS & SHARP EDGES TO .015 MAX.	1 OF 1	22-3A426		REVISION	
DIMENSIONS SHOWN IN OVALS ARE INSPECTION DIMENSIONS.					