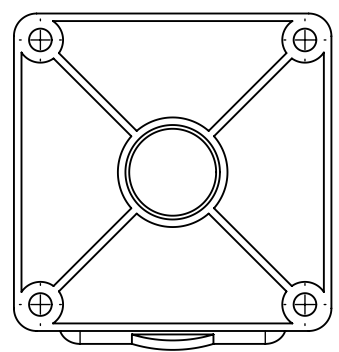
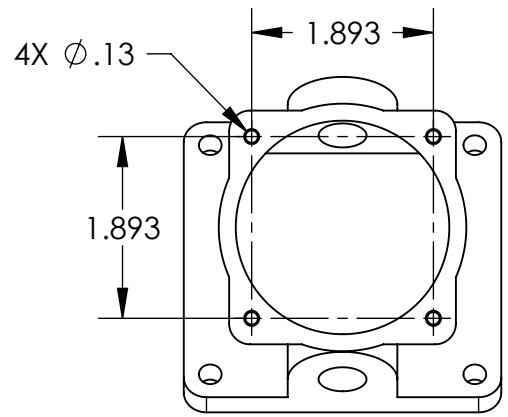
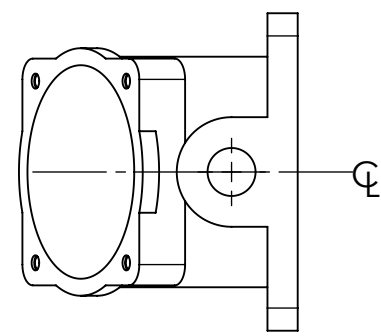
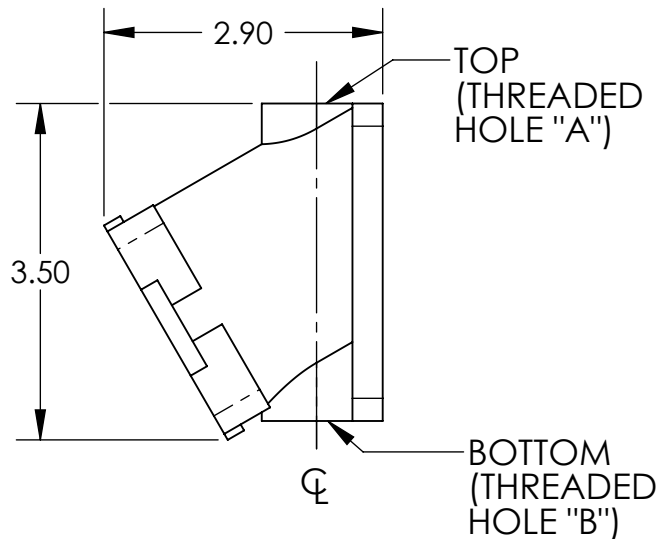
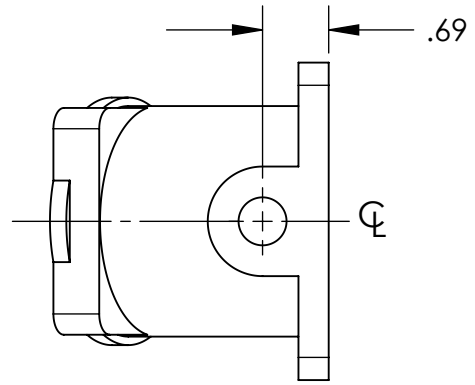
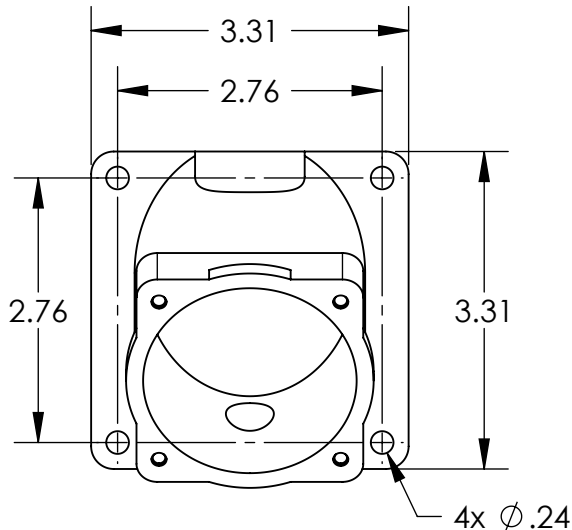


This drawing is the property of MELTRIC Corporation, Franklin (Milwaukee), Wisconsin, USA. Any unauthorized copying of this drawing by any means, ENG/RD/06 REV: 20 ISSUED DATE: 1/15/11 or disclosure of its contents to any person not authorized by MELTRIC Corporation or its agents to receive it, is strictly prohibited.



PART NUMBER	THREAD "A"	THREAD "B"
22-3A023-34-T	3/4" NPT	20mm
22-3A023-34-B	20mm	3/4" NPT

INTERNAL VOLUME : 8.7 CUBIC INCHES

TOLERANCES UNLESS OTHERWISE SPECIFIED			
MACHINED SURFACES $\sqrt[125]{\text{MAX}}$	ENGLISH		
GROUND SURFACES $\sqrt[32]{\text{MAX}}$	0.X ±0.05	DRAWING TITLE: DXN30 POLY 30° WALL BOX	
ANGLE TOLERANCE ±1°	0.XX ±0.01	DATE:	SCALE: NTS
REMOVE BURRS & SHARP EDGES TO .015 MAX.	0.XXX ±0.005	MATERIAL: BLACK POLY	
DIMENSIONS SHOWN IN OVALS ARE INSPECTION DIMENSIONS.		SHEET: 1 OF 1	PART NUMBER: 22-3A023-34-x
			REVISION