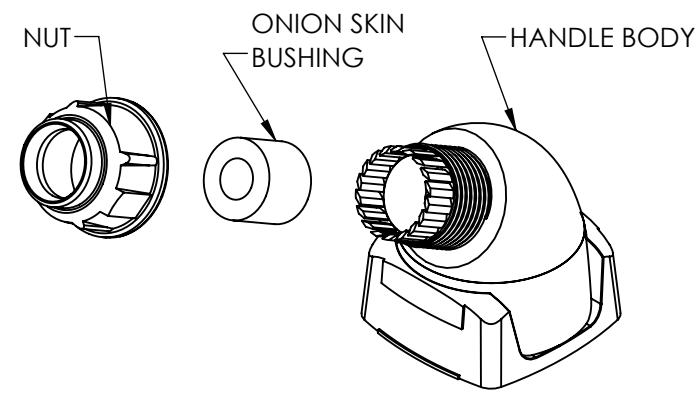
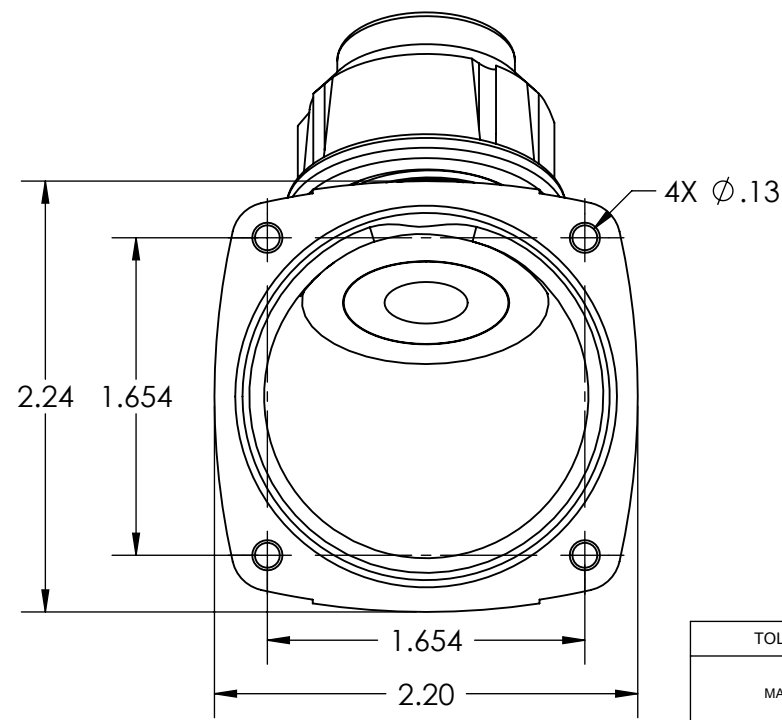
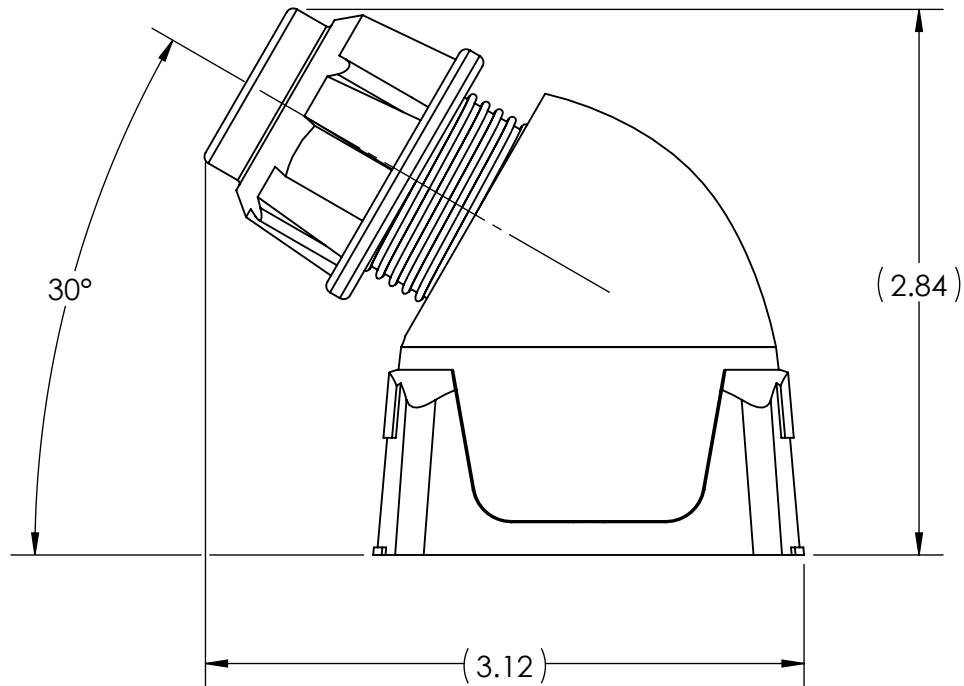
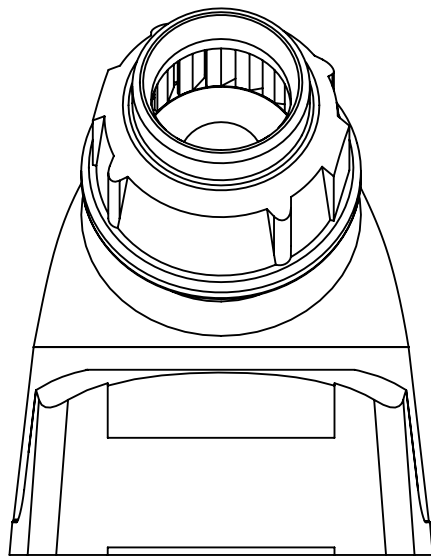


This drawing is the property of MELTRIC Corporation, Franklin (Milwaukee) Wisconsin, USA. Any unauthorized copying of this drawing by any means, ENG/RD/06 REV: 20 ISSUED DATE: 1/15/11 or disclosure of its contents to any person not authorized by MELTRIC Corporation or its agents to receive it, is strictly prohibited.

G F E D C B A



|  |              |  |             |
|--|--------------|--|-------------|
| TOLERANCES UNLESS OTHERWISE SPECIFIED                |              | <br><b>MELTRIC</b><br>A COMPANY OF MARÉCHAL ÉLECTRIC |             |
| MACHINED SURFACES $\sqrt[125]{\text{MAX}}$           | ENGLISH      |  |             |
| GROUND SURFACES $\sqrt[32]{\text{MAX}}$              | 0.X ±0.05    | DRAWING TITLE:                                       |             |
| ANGLE TOLERANCE ±1°                                  | 0.XX ±0.01   | ANGLED POLY HANDLE                                   |             |
| REMOVE BURRS & SHARP EDGES TO .015 MAX.              | 0.XXX ±0.005 | DATE:  | SCALE       |
| DIMENSIONS SHOWN IN OVALS ARE INSPECTION DIMENSIONS. |              | MATERIAL:  |             |
|  |              | SHEET:   | PART NUMBER |
|  |              | 1 OF 1   | 511P6D18    |
|  |              |  | REVISION    |

1  
2  
3  
4  
5  
6