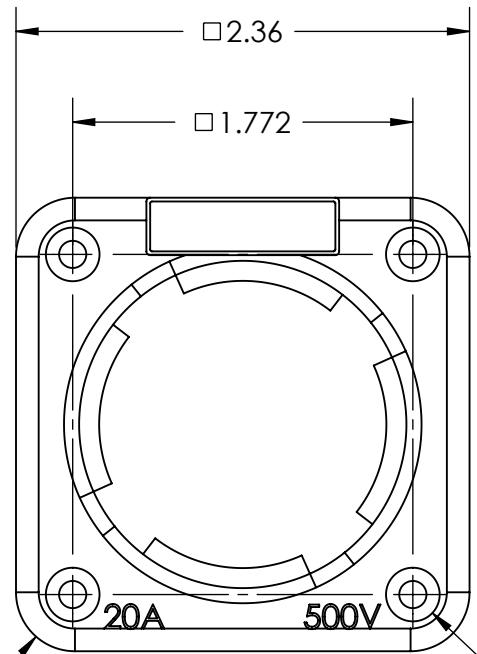


This drawing is the property of MELTRIC Corporation, Franklin (Milwaukee), Wisconsin, USA. Any unauthorized copying of this drawing by any means, ENG/RD/06 REV: 20 ISSUED DATE: 1/15/11 or disclosure of its contents to any person not authorized by MELTRIC Corporation or its agents to receive it, is strictly prohibited.

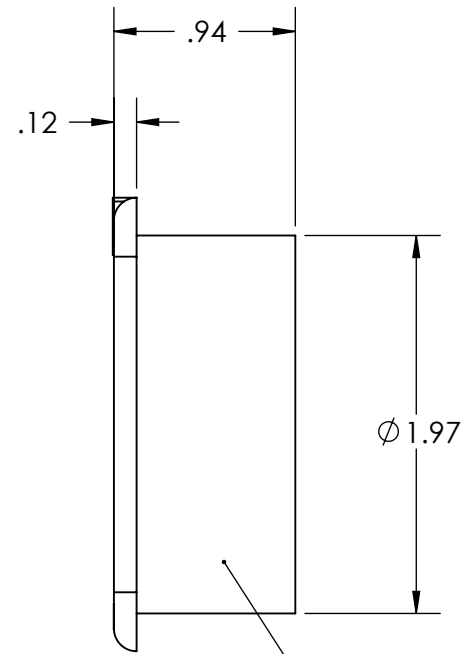
G F E D C B A

1  
2  
3  
4  
5  
6

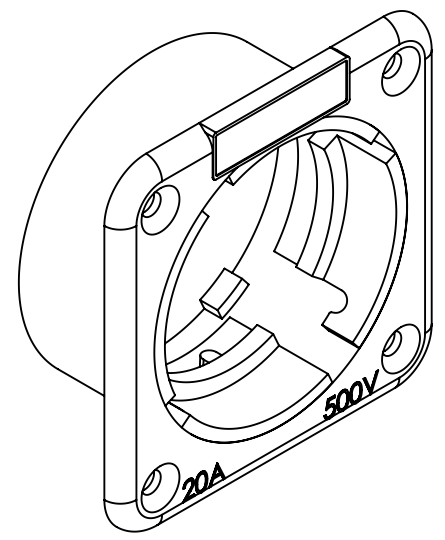


4X R.31

4X  
 $\varnothing .14$  THRU  
 $\checkmark \varnothing .28 \times 90^\circ$



2"  
 RECOMMENDED  
 KNOCKOUT HOLE.



TOLERANCES UNLESS OTHERWISE SPECIFIED				DRAWING TITLE:	
MACHINED SURFACES $\sqrt[125]{\text{MAX}}$	ENGLISH			FLUSH MOUNT CASING	
GROUND SURFACES $\sqrt[32]{\text{MAX}}$	0.X $\pm 0.05$ 0.XX $\pm 0.01$ 0.XXX $\pm 0.005$	DATE:	SCALE	MATERIAL:	
ANGLE TOLERANCE $\pm 1^\circ$				NTS	PLASTIC
REMOVE BURRS & SHARP EDGES TO .015 MAX.		SHEET:	PART NUMBER		REVISION
DIMENSIONS SHOWN IN OVALS ARE INSPECTION DIMENSIONS.		1 OF 1	01-2A142		