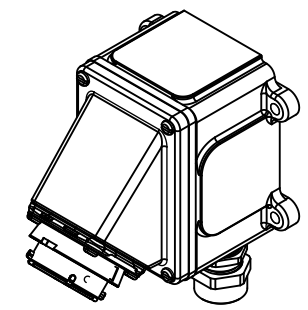
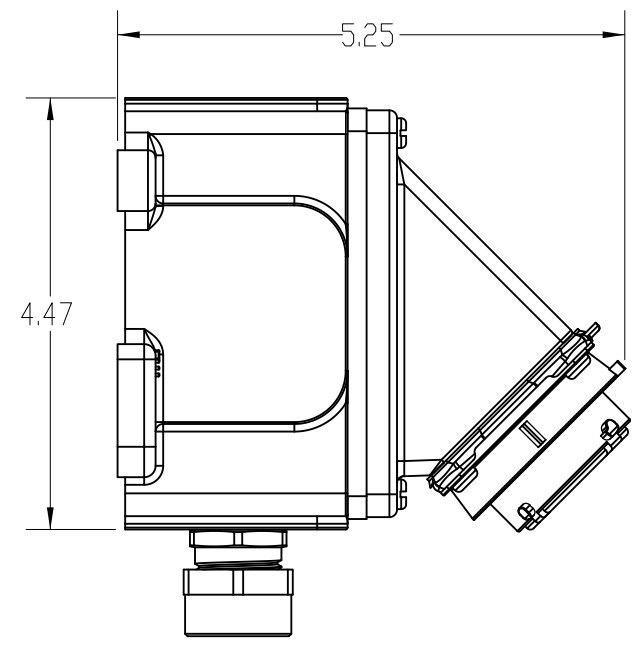
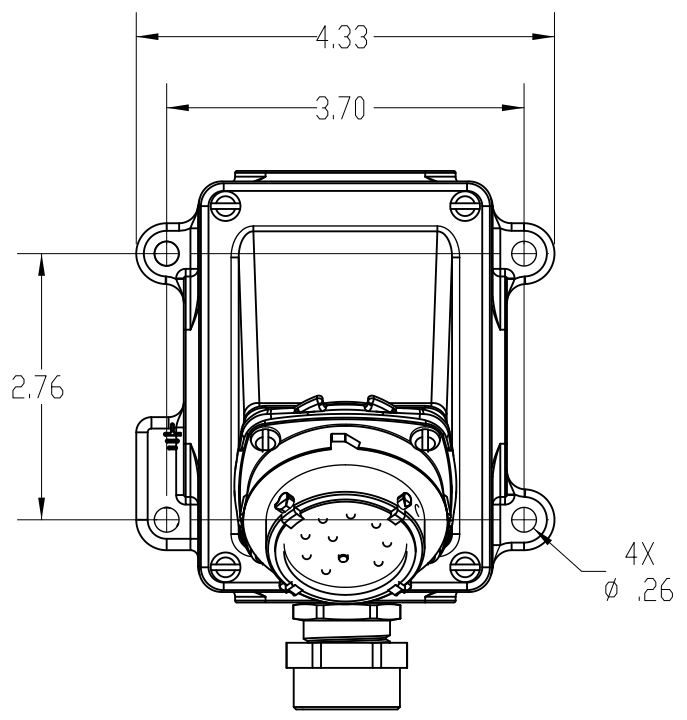


This drawing is the property of MELTRIC Corporation, Franklin (Milwaukee), Wisconsin, USA. Any unauthorized copying of this drawing by any means, or disclosure of its contents to any person not authorized by MELTRIC Corporation or its agents to receive it, is strictly prohibited.

ENG/RD/06 REV: 21 ISSUED DATE: 10/7/16



CABLE RANGE = .47" TO .82".

TOLERANCES UNLESS OTHERWISE SPECIFIED		 <b>MELTRIC</b> A COMPANY OF MARECHAL ELECTRIC		DRAWING TITLE:	
MACHINED SURFACES	125/√ MAX			PN12c INLET/ANGLE/BOX	MATERIAL:
GROUND SURFACES	32/√ MAX	DATE:	SCALE	MATERIAL:	
ANGLE TOLERANCE	± 1°		NTS	METAL	
REMOVE BURRS & SHARP EDGES TO .015 MAX.		SHEET:	PART NUMBER		REVISION
DIMENSIONS SHOWN IN OVALS ARE INSPECTION DIMENSIONS.		1 OF 1	06-A6001-32M		