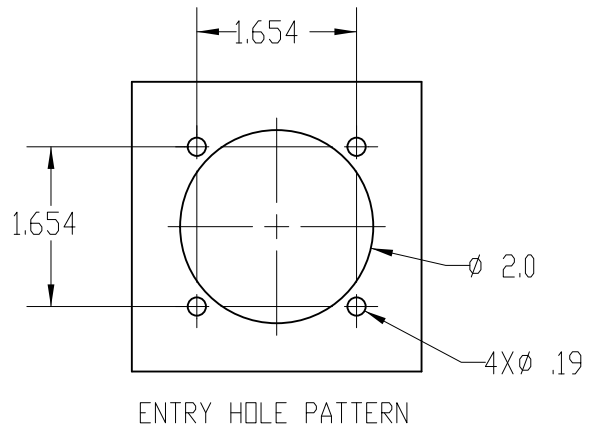
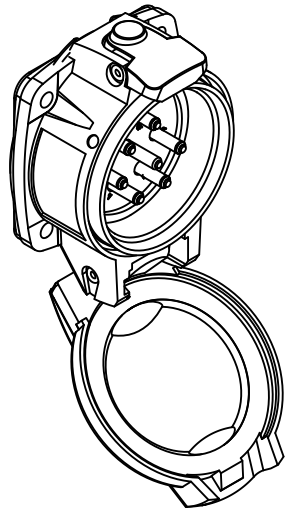
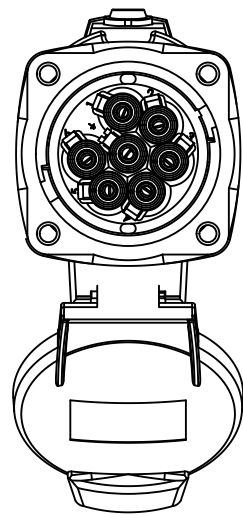
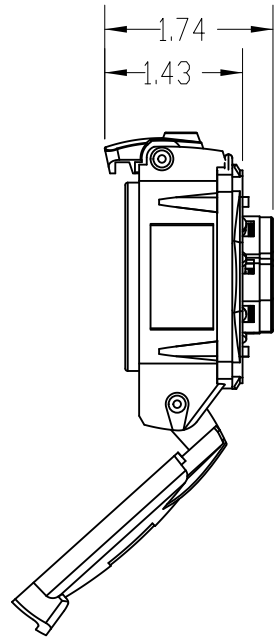
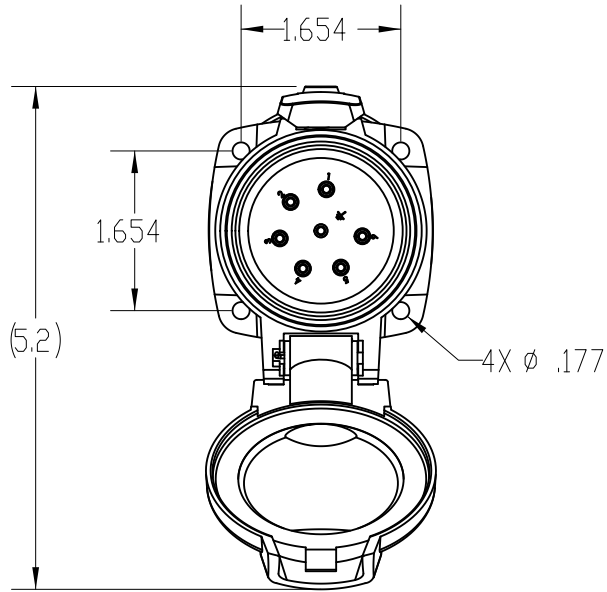


This drawing is the property of MELTRIC Corporation, Franklin (Milwaukee), Wisconsin, USA. Any unauthorized copying of this drawing by any means, or disclosure of its contents to any person not authorized by MELTRIC Corporation or its agents to receive it, is strictly prohibited.



TOLERANCES UNLESS OTHERWISE SPECIFIED		 MELTRIC A COMPANY OF MARECHAL ELECTRIC		DRAWING TITLE:	
MACHINED SURFACES	$\sqrt{125}$ MAX			DRAWN	APPROVED
GROUND SURFACES	$\sqrt{32}$ MAX	DATE:		SCALE	MATERIAL:
ANGLE TOLERANCE	$\pm 1^\circ$	SHEET:		NTS	METAL CASING
REMOVE BURRS & SHARP EDGES TO .015 MAX.		1 OF 1		PART NUMBER	
DIMENSIONS SHOWN IN OVALS ARE INSPECTION DIMENSIONS.		ENGLISH		REVISION	
		0.X ± 0.05		09-P4xxx-001	
		0.XX ± 0.01			
		0.XXX ± 0.005			