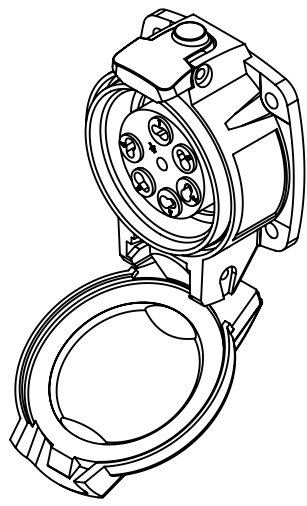
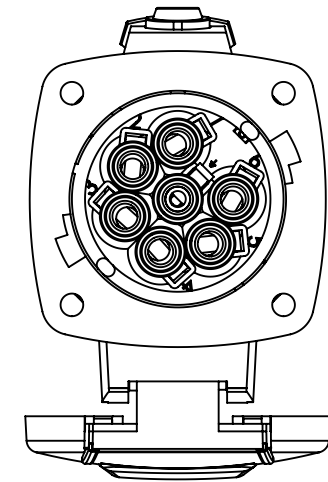
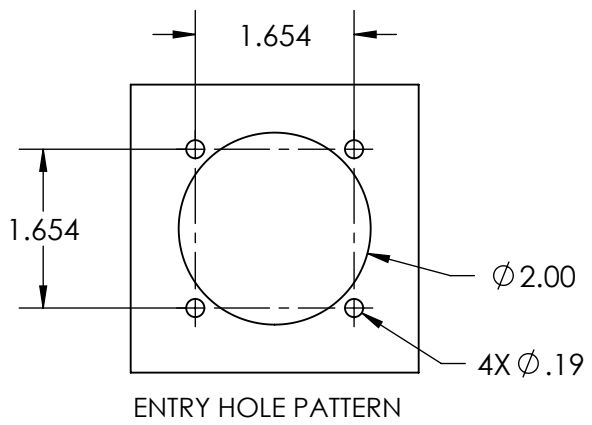
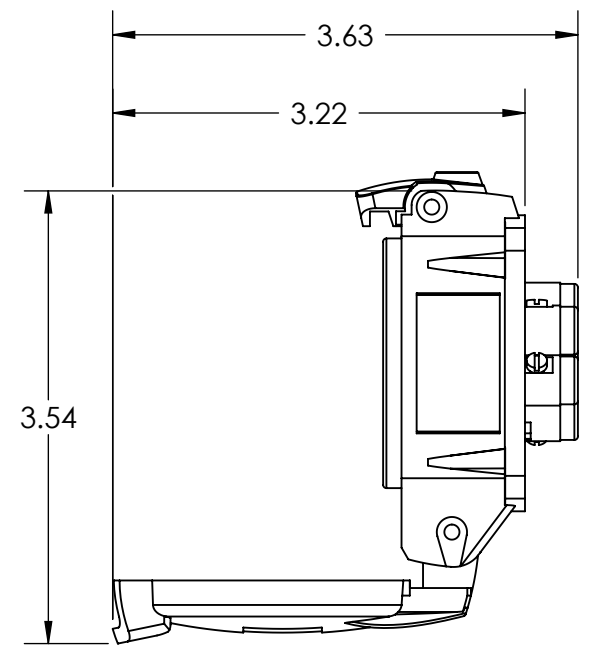
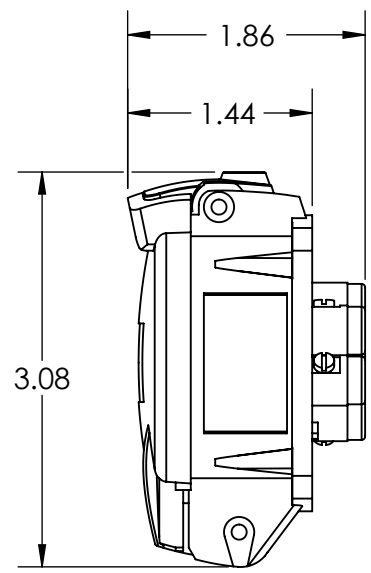
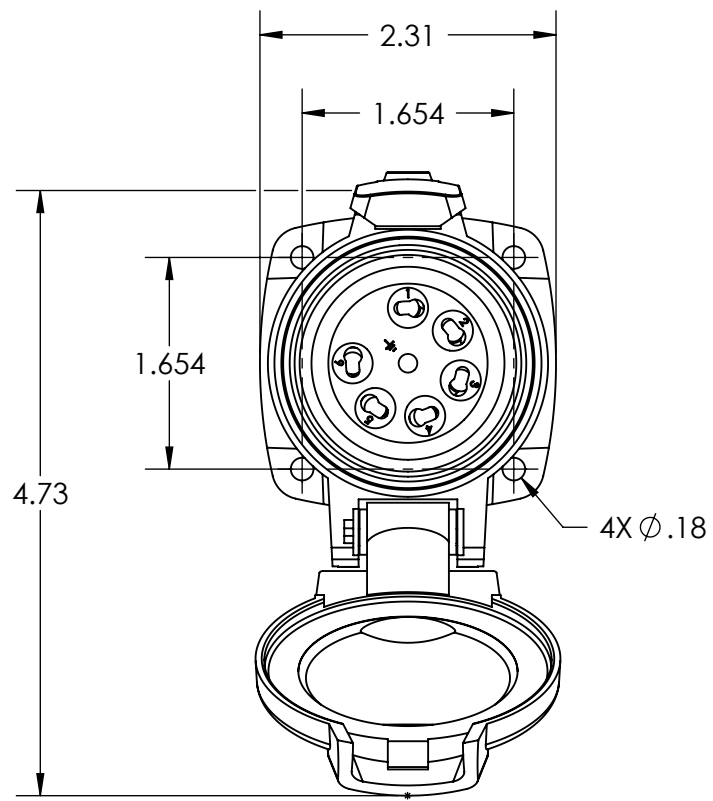


This drawing is the property of MELTRIC Corporation, Franklin (Milwaukee), Wisconsin, USA. Any unauthorized copying of this drawing by any means, ENG/RD/06 REV: 20 ISSUED DATE: 1/15/11 or disclosure of its contents to any person not authorized by MELTRIC Corporation or its agents to receive it, is strictly prohibited.



TOLERANCES UNLESS OTHERWISE SPECIFIED				DRAWING TITLE:	
MACHINED SURFACES $\sqrt[125]{\text{MAX}}$	ENGLISH			PN7c POLY RECEPTACLE	
GROUND SURFACES $\sqrt[32]{\text{MAX}}$	0.X ±0.05	DATE:	SCALE	BLUE POLY CASING	
ANGLE TOLERANCE ±1°	0.XX ±0.01	SHEET:	NTS	PART NUMBER	REVISION
REMOVE BURRS & SHARP EDGES TO .015 MAX.	0.XXX ±0.005				
DIMENSIONS SHOWN IN OVALS ARE INSPECTION DIMENSIONS.					