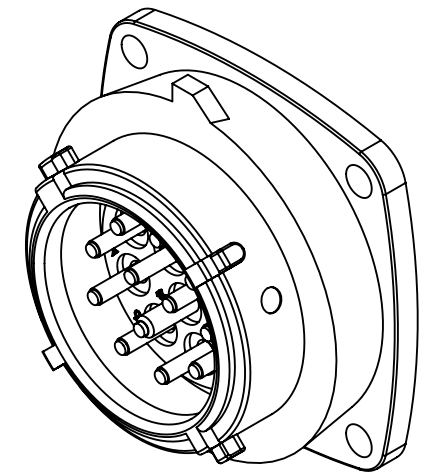
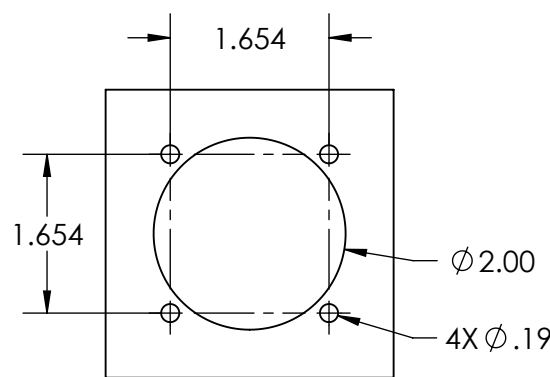
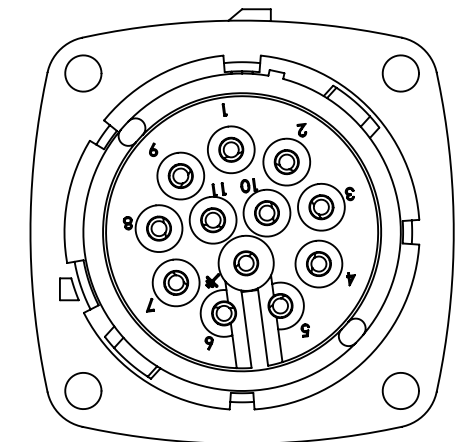
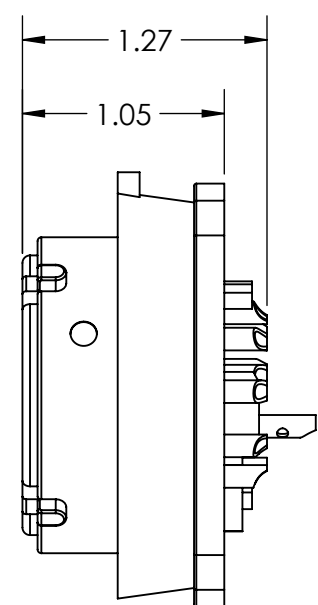
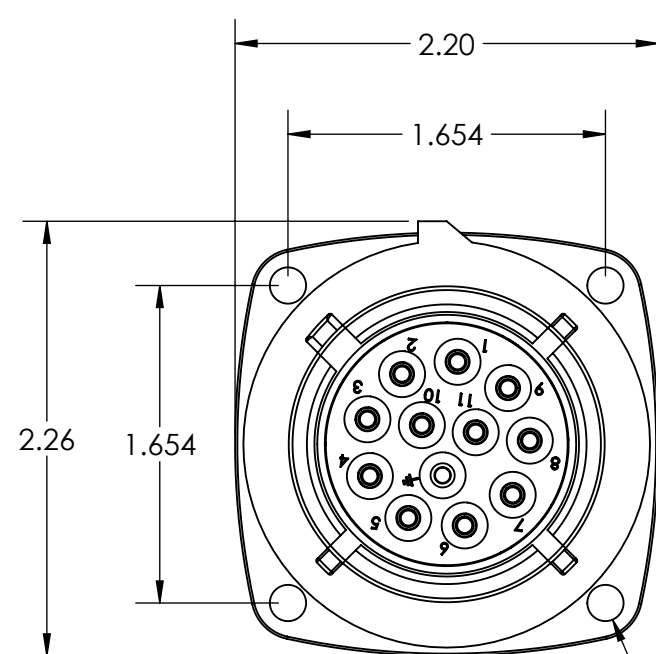
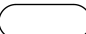


This drawing is the property of MELTRIC Corporation, Franklin (Milwaukee), Wisconsin, USA. Any unauthorized copying of this drawing by any means, ENG/RD/06 REV: 20 ISSUED DATE: 11/15/11 or disclosure of its contents to any person not authorized by MELTRIC Corporation or its agents to receive it, is strictly prohibited.



| TOLERANCES UNLESS OTHERWISE SPECIFIED | | MELTRIC CORPORATION | |
|--|--|------------------------------------|------------|
| MACHINED SURFACES $\sqrt{125}$ MAX | ENGLISH | DRAWN | APPROVED |
| GROUND SURFACES $\sqrt{32}$ MAX | | DRAWING TITLE: PN12c POLY INLET | |
| ANGLE TOLERANCE $\pm 1^\circ$ | 0.X ± 0.05 0.XX ± 0.01 0.XXX ± 0.005 | DATE: | SCALE: NTS |
| REMOVE BURRS & SHARP EDGES TO .015 MAX. | | MATERIAL: CASING | |
|  DIMENSIONS SHOWN IN OVALS ARE INSPECTION DIMENSIONS. | SHEET: 1 OF 1 | PART NUMBER: 03-A8001 | |
| | | REVISION | |