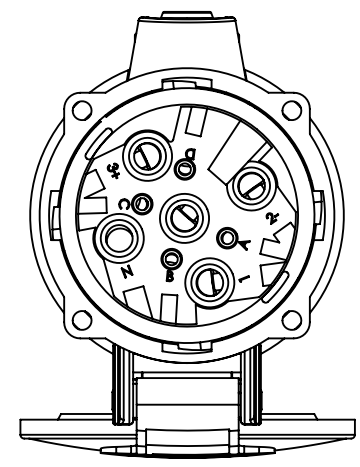
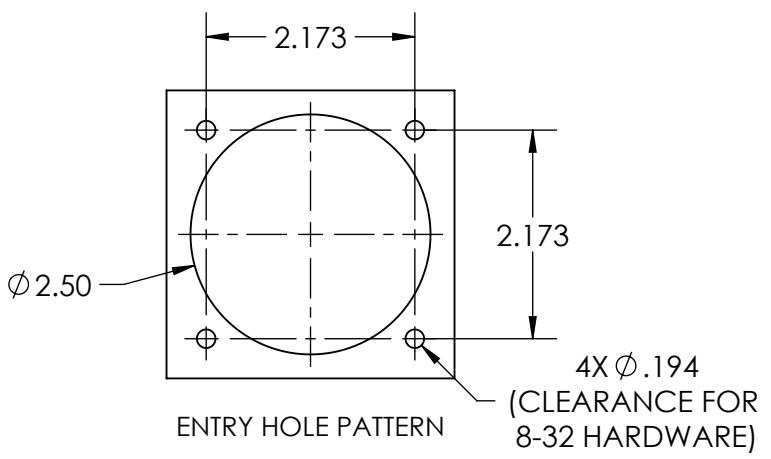
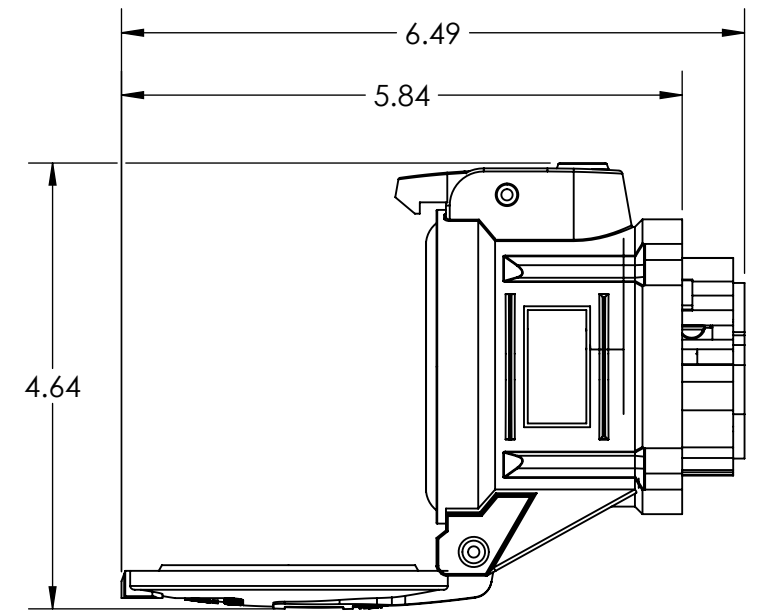
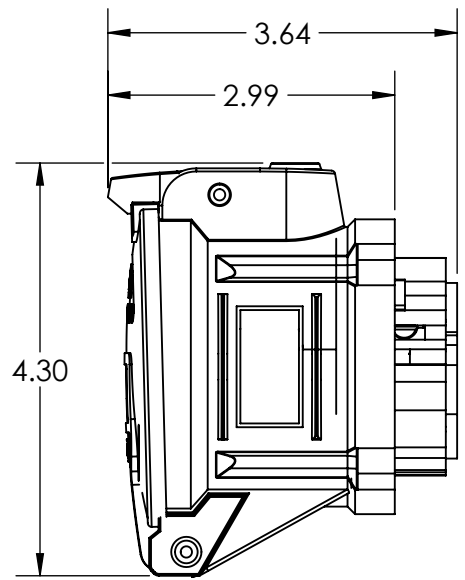
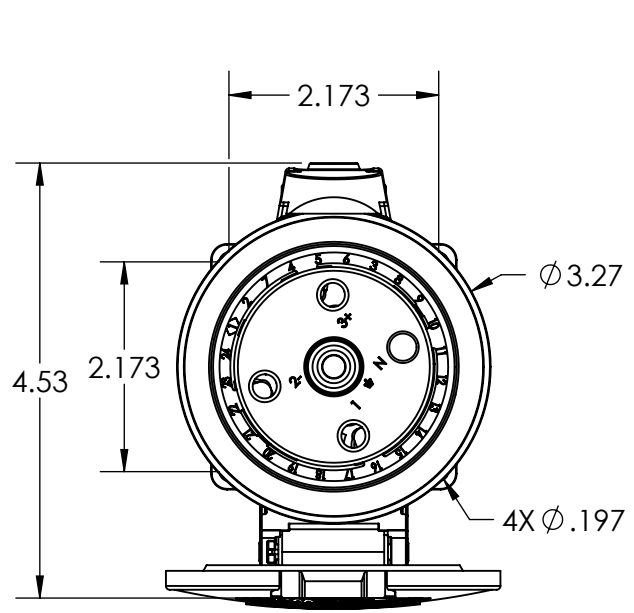


This drawing is the property of MELTRIC Corporation, Franklin (Milwaukee), Wisconsin, USA. Any unauthorized copying of this drawing by any means, ENG/RD/06 REV: 20 ISSUED DATE: 1/15/11 or disclosure of its contents to any person not authorized by MELTRIC Corporation or its agents to receive it, is strictly prohibited.



TOLERANCES UNLESS OTHERWISE SPECIFIED				<b>ENGLISH</b> 0.X ±0.05 0.XX ±0.01 0.XXX ±0.005	
MACHINED SURFACES	$\sqrt[125]{\text{MAX}}$				
GROUND SURFACES	$\sqrt[32]{\text{MAX}}$	DRAWN	APPROVED	DRAWING TITLE:	
ANGLE TOLERANCE	±1°	DATE:	SCALE	DYN60 RECEPTACLE	
REMOVE BURRS & SHARP EDGES TO .015 MAX.		SHEET:	NTS	MATERIAL:	
DIMENSIONS SHOWN IN OVALS ARE INSPECTION DIMENSIONS.		1 OF 1	22-64xxx	BLACK POLY CASING	
				PART NUMBER	REVISION