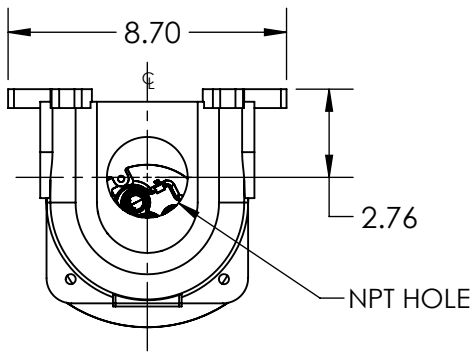
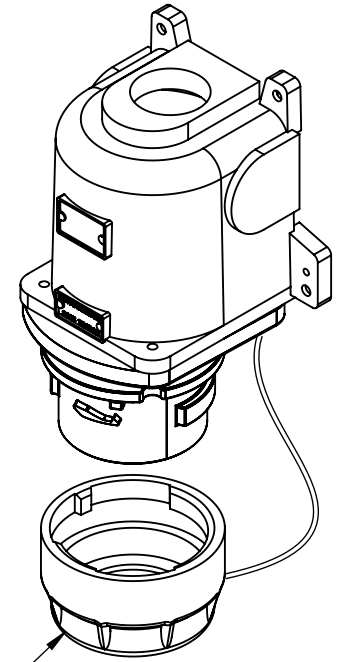


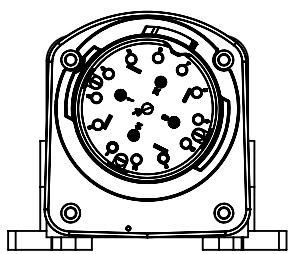
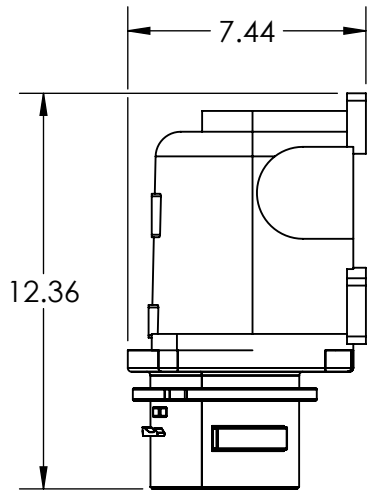
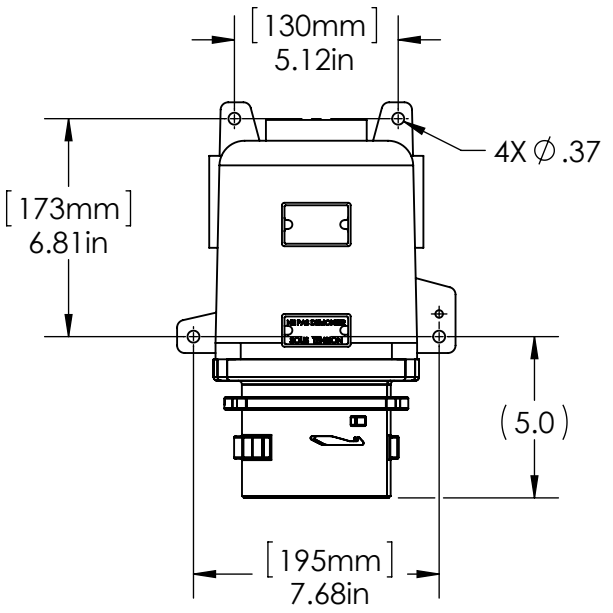
This drawing is the property of MELTRIC Corporation, Franklin (Milwaukee) Wisconsin, USA. Any unauthorized copying of this drawing by any means, ENG/RD/06 REV: 20 ISSUED DATE: 1/15/11 or disclosure of its contents to any person not authorized by MELTRIC Corporation or its agents to receive it, is strictly prohibited.



| PART NUMBER | NPT SIZE |
|--------------|------------|
| 26-96xxx-1 | 1" NPT |
| 26-96xxx-114 | 1-1/4" NPT |
| 26-96xxx-112 | 1-1/2" NPT |
| 26-96xxx-2 | 2" NPT |



SUPPLIED WITH INLET CAP ATTACHED TO INLET BASE WITH LANYARD.



| TOLERANCES UNLESS OTHERWISE SPECIFIED | |
|--|---|
| MACHINED SURFACES $\sqrt[125]{\text{MAX}}$ | ENGLISH 0.X ±0.05 0.XX ±0.01 0.XXX ±0.005 |
| GROUND SURFACES $\sqrt[32]{\text{MAX}}$ | |
| ANGLE TOLERANCE ±1° | |
| REMOVE BURRS & SHARP EDGES TO .015 MAX. | |
| DIMENSIONS SHOWN IN OVALS ARE INSPECTION DIMENSIONS. | |

| | | | |
|--|----------|--------------------------|----------------------|
| MELTRIC A COMPANY OF MARÉCHAL ÉLECTRIC | | DRAWING TITLE: | |
| DRAWN | APPROVED | DX100 INLET W/CAP ON BOX | |
| DATE: | | SCALE | MATERIAL: |
| | | NTS | METAL CASING AND BOX |
| SHEET: 1 OF 1 | | PART NUMBER | REVISION |
| | | 26-96xxx-xx | |