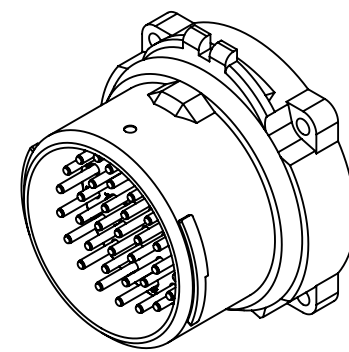
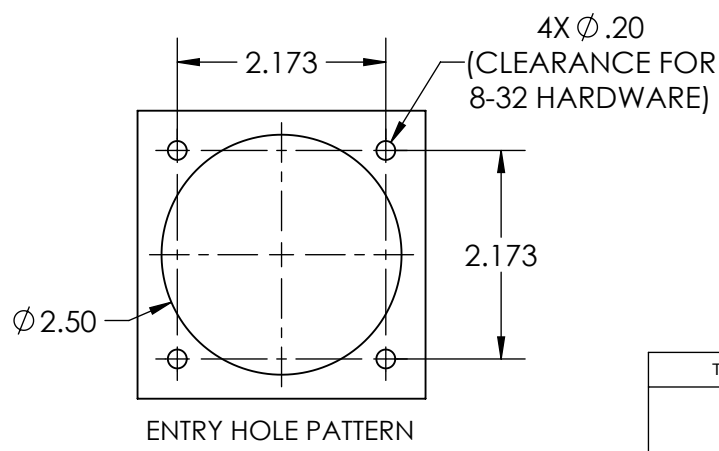
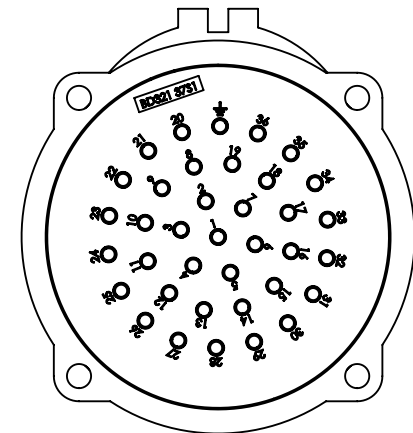
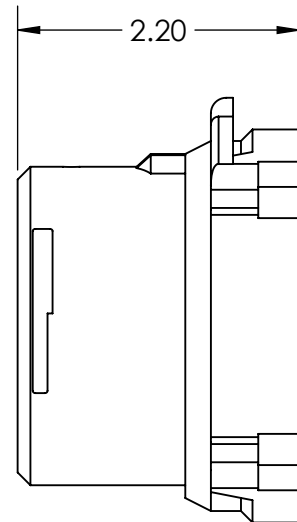
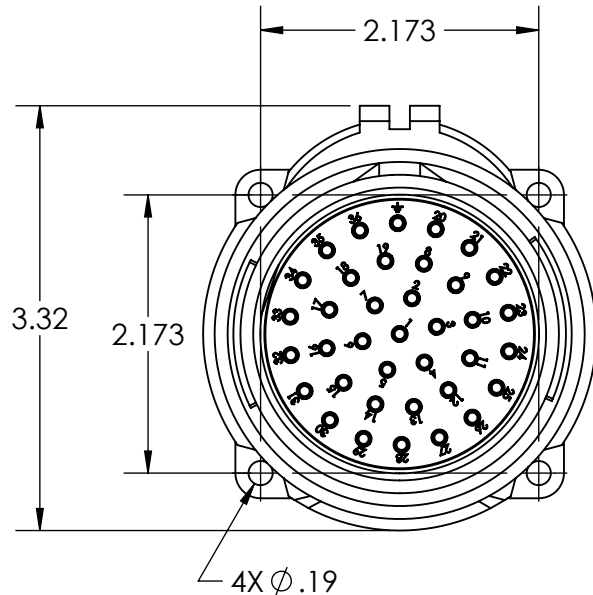


This drawing is the property of MELTRIC Corporation, Franklin (Milwaukee), Wisconsin, USA. Any unauthorized copying of this drawing by any means, ENG/RD/06 REV: 20 ISSUED DATE: 1/15/11 or disclosure of its contents to any person not authorized by MELTRIC Corporation or its agents to receive it, is strictly prohibited.



TOLERANCES UNLESS OTHERWISE SPECIFIED			
MACHINED SURFACES $\sqrt{125}$ MAX	<b>ENGLISH</b> 0.X ±0.05 0.XX ±0.01 0.XXX ±0.005	DRAWN	APPROVED
GROUND SURFACES $\sqrt{32}$ MAX		DRAWING TITLE: <b>DSN37c INLET</b>	
ANGLE TOLERANCE ±1°	DATE:	SCALE NTS	MATERIAL: BLUE POLY
REMOVE BURRS & SHARP EDGES TO .015 MAX.	SHEET: 1 OF 1	PART NUMBER <b>63-C8003</b>	
DIMENSIONS SHOWN IN OVALS ARE INSPECTION DIMENSIONS.	REVISION		