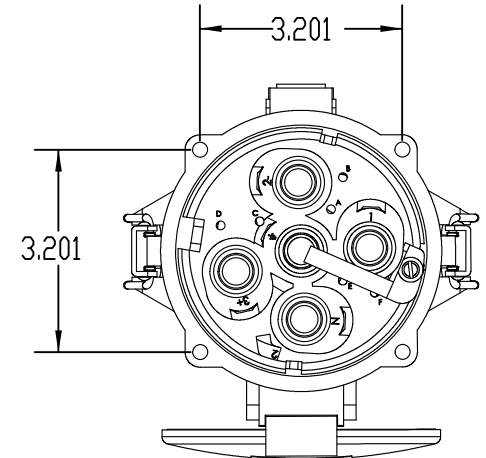
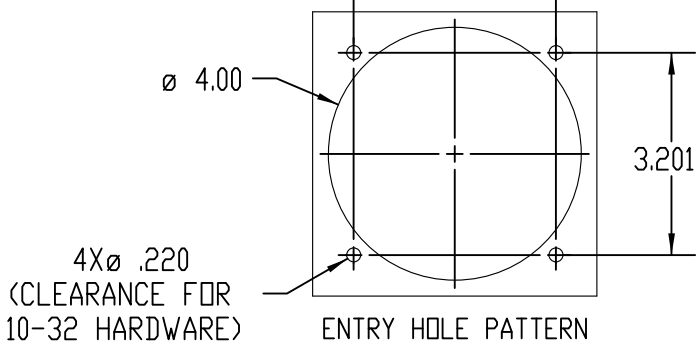
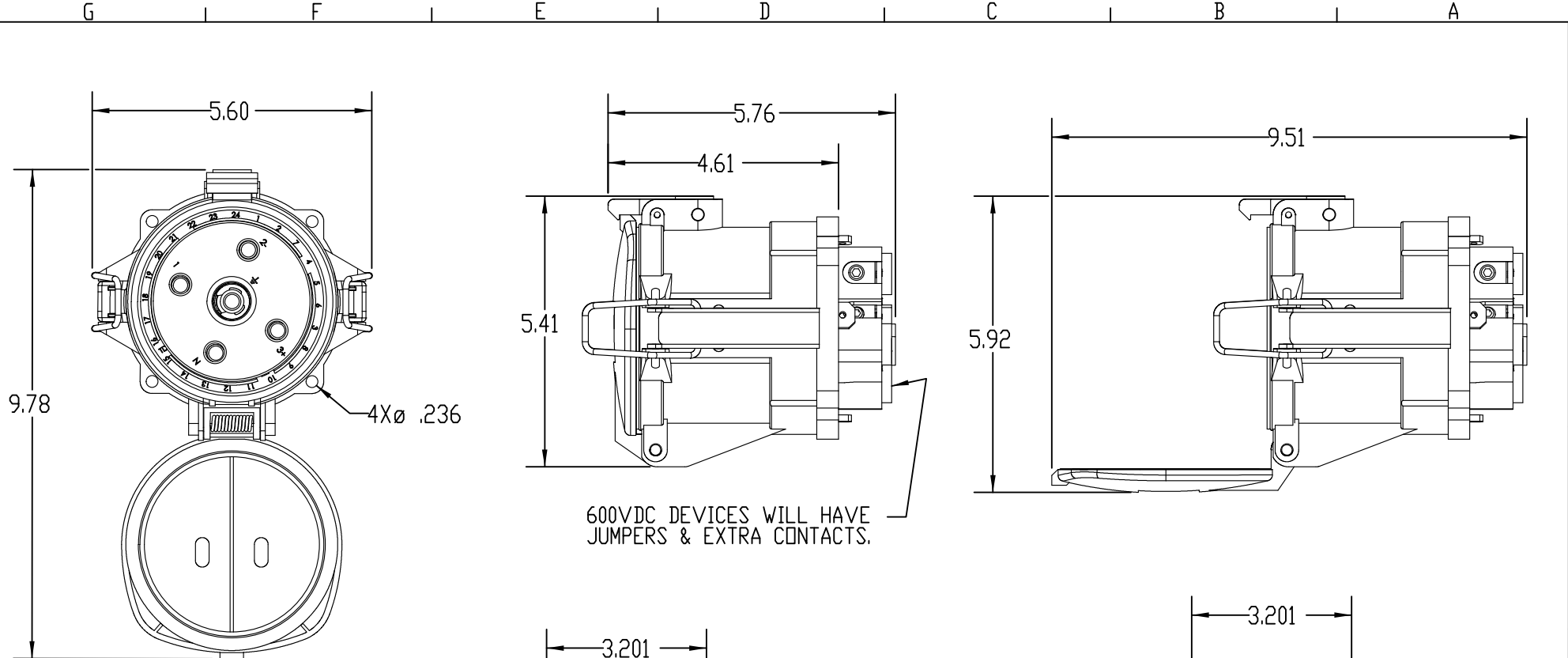


This drawing is the property of MELTRIC Corporation, Franklin (Milwaukee), Wisconsin, USA. Any unauthorized copying of this drawing by any means or disclosure of its contents to any person not authorized by MELTRIC Corporation or its agents to receive it, is strictly prohibited.

ENG/RD/06 REV. 20 ISSUED DATE: 11/15/11



TOLERANCES UNLESS OTHERWISE SPECIFIED					
MACHINED SURFACES	125/ MAX			ENGLISH 0.X ±0.05 0.XX ±0.01 0.XXX ±0.005	
GROUND SURFACES	32/ MAX	DRAWN	APPROVED		DRAWING TITLE: DSDC9 METAL RECEPT., ALL VOLTAGES/AMPERAGES
ANGLE TOLERANCE	±1°	DATE:	SCALE	MATERIAL:	
REMOVE BURRS & SHARP EDGES TO .015 MAX.		SHEET:	NTS	METAL CASING	
DIMENSIONS SHOWN IN OVALS ARE INSPECTION DIMENSIONS.		1 OF 1	37-94x09	PART NUMBER	REVISION