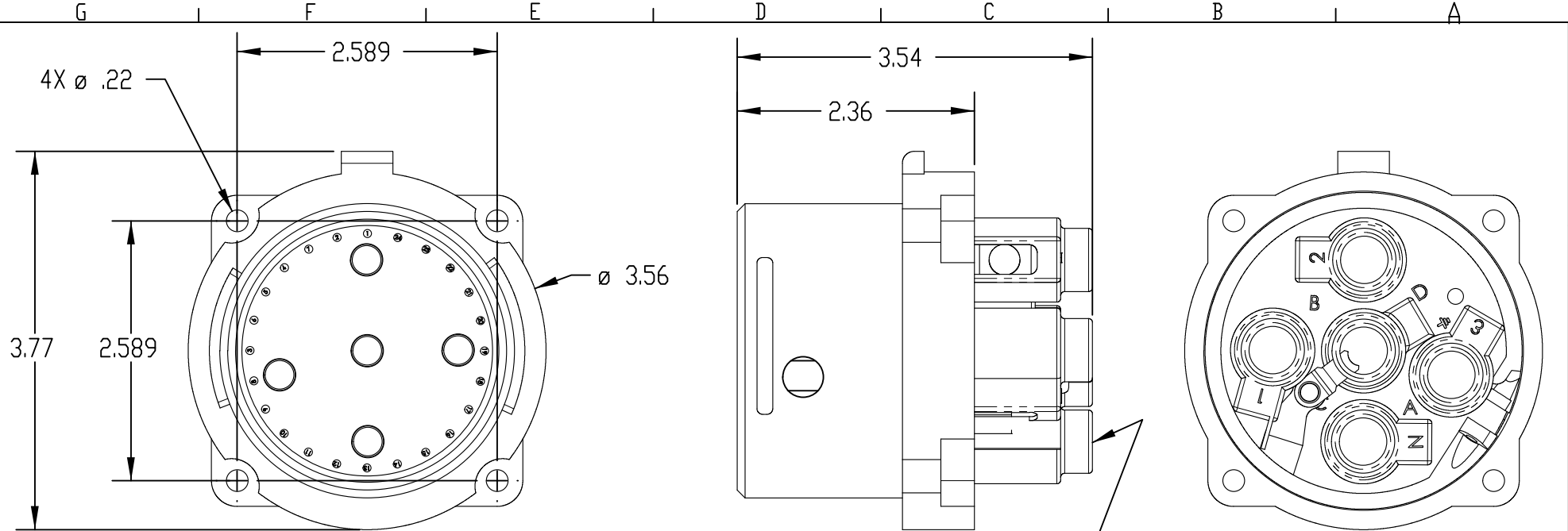
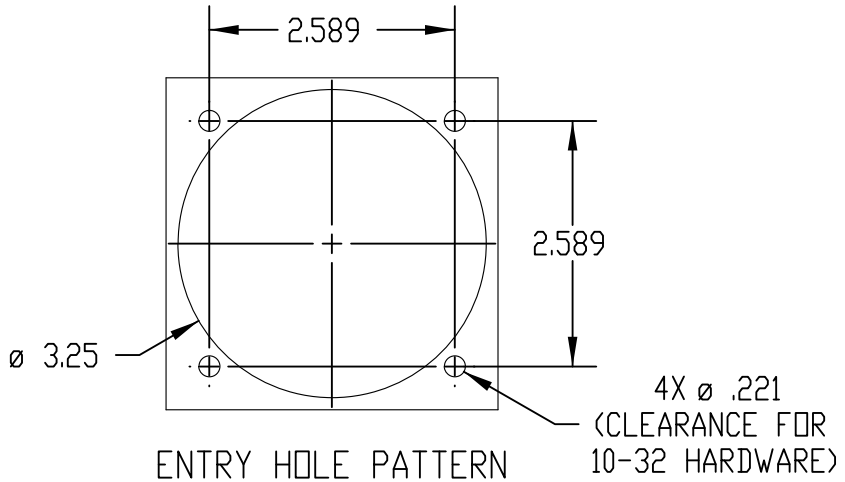


This drawing is the property of MELTRIC Corporation, Franklin (Milwaukee), Wisconsin, USA. Any unauthorized copying of this drawing by any means or disclosure of its contents to any person not authorized by MELTRIC Corporation or its agents to receive it, is strictly prohibited.



600 AND 750VDC  
DEVICES WILL HAVE  
JUMPERS & EXTRA  
CONTACTS.



TOLERANCES UNLESS OTHERWISE SPECIFIED					
MACHINED SURFACES	125/32 MAX			ENGLISH 0.X ±0.05 0.XX ±0.01 0.XXX ±0.005	
GROUND SURFACES	32/32 MAX	DRAWN	APPROVED		DRAWING TITLE: DSDC6 METAL INLET, ALL VOLTAGES/AMPERAGES
ANGLE TOLERANCE	±1°	DATE:	SCALE	NTS	MATERIAL:
REMOVE BURRS & SHARP EDGES TO .015 MAX.		SHEET:	PART NUMBER		REVISION
DIMENSIONS SHOWN IN OVALS ARE INSPECTION DIMENSIONS.		1 OF 1	37-68xxx(-xxx)		

1  
2  
3  
4  
5  
6