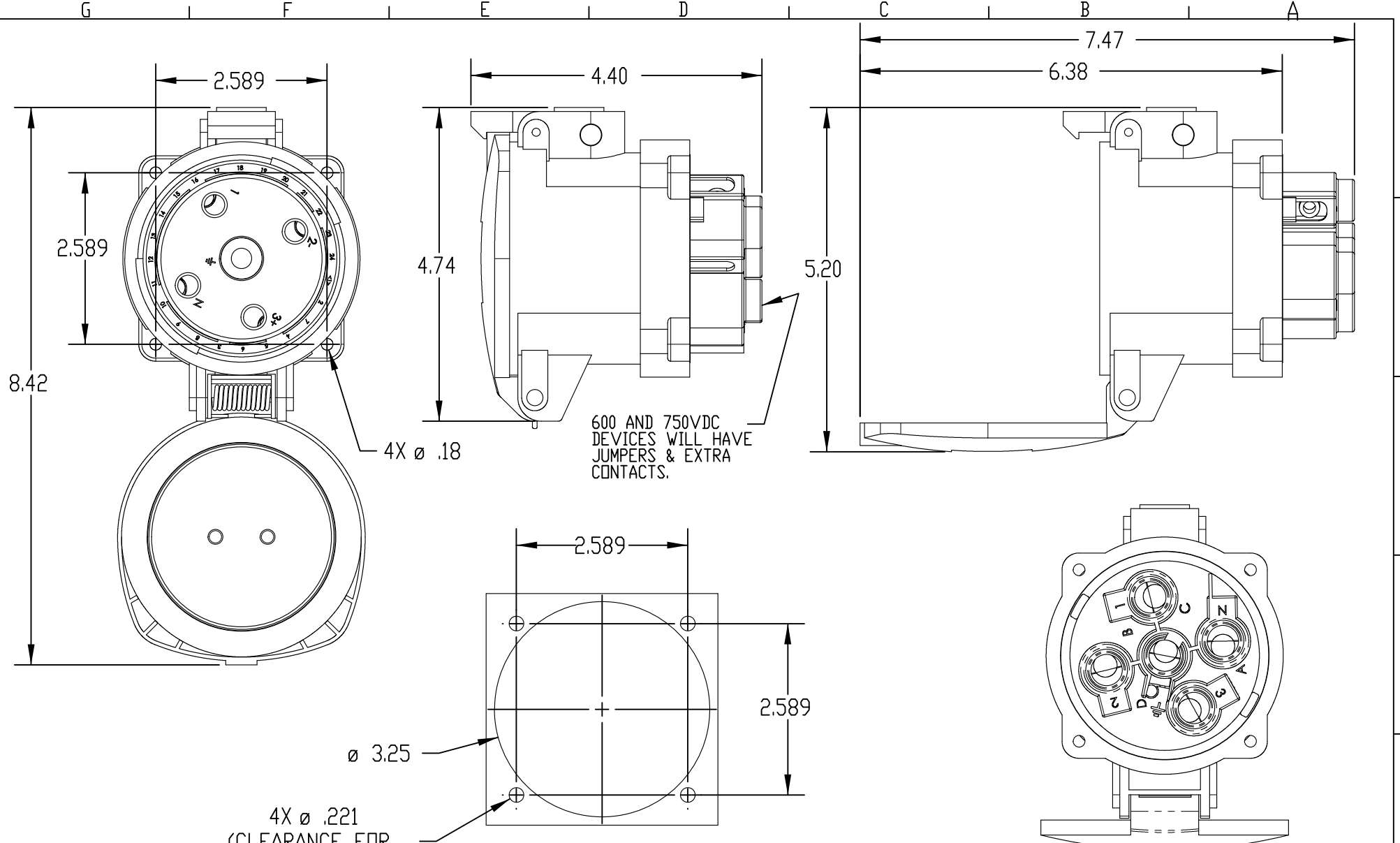


This drawing is the property of MELTRIC Corporation, Franklin (Milwaukee), Wisconsin, USA. Any unauthorized copying of this drawing by any means or disclosure of its contents to any person not authorized by MELTRIC Corporation or its agents to receive it, is strictly prohibited.



600 AND 750VDC DEVICES WILL HAVE JUMPERS & EXTRA CONTACTS.

4X \varnothing .221
(CLEARANCE FOR 10-32 HARDWARE)

ENTRY HOLE PATTERN

TOLERANCES UNLESS OTHERWISE SPECIFIED			
MACHINED SURFACES	125 MAX		
GROUND SURFACES	32 MAX	0.X ±0.05	DRAWING TITLE: DSDC6 METAL RECEPT., ALL VOLTAGES/AMPERAGES
ANGLE TOLERANCE	±1°	0.XX ±0.01	
REMOVE BURRS & SHARP EDGES TO .015 MAX.		0.XXX ±0.005	SCALE: NTS
DIMENSIONS SHOWN IN OVALS ARE INSPECTION DIMENSIONS.			MATERIAL: METAL CASING
			PART NUMBER: 37-64xxx(-xxx)
			REVISION

ENG/RD/06 REV: 20 ISSUED DATE: 11/15/11