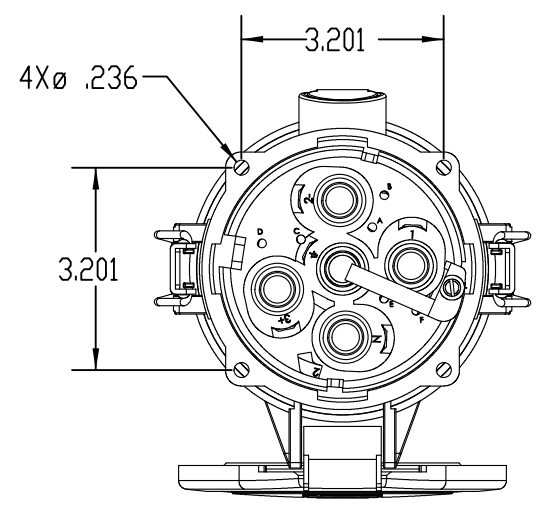
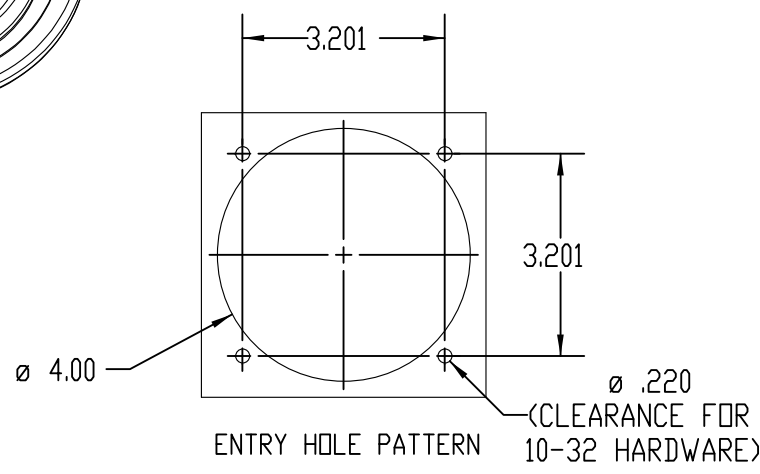
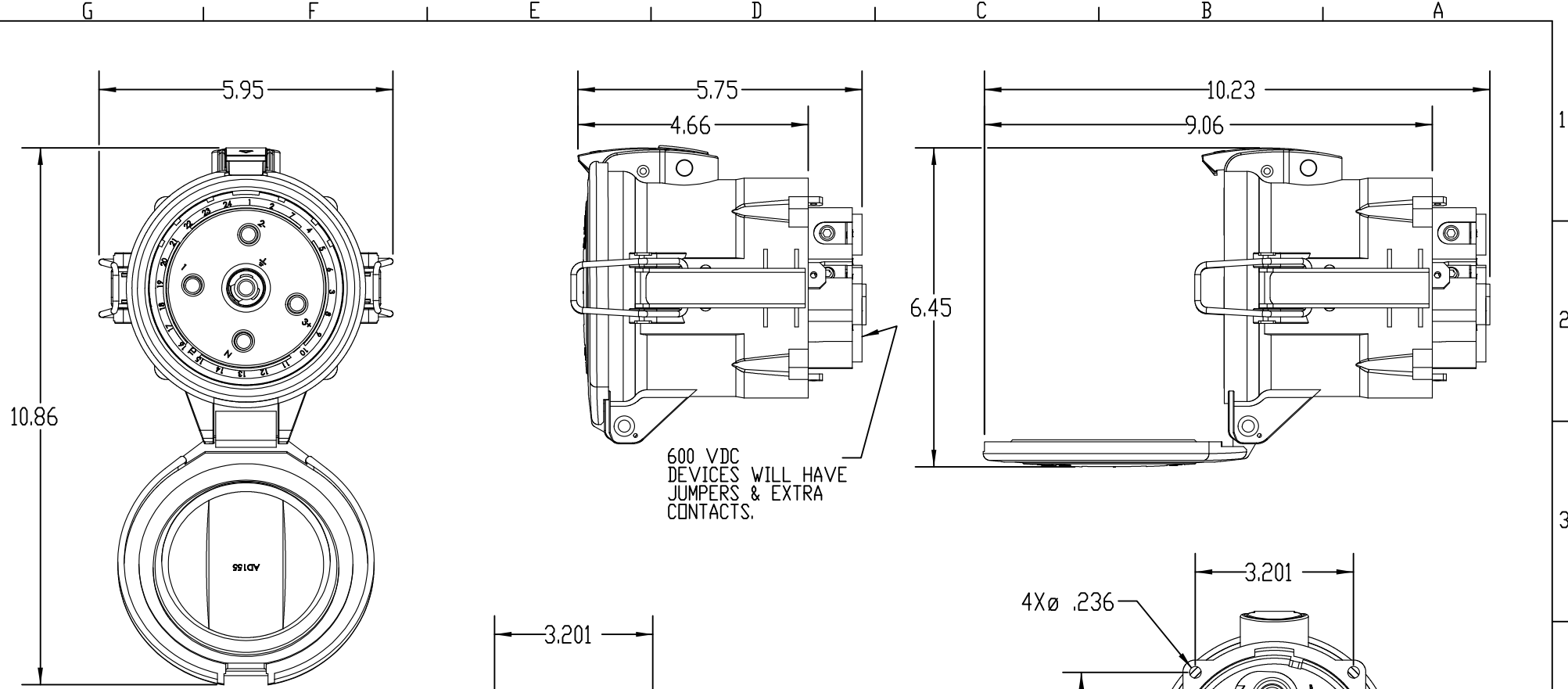


This drawing is the property of MELTRIC Corporation, Franklin (Milwaukee), Wisconsin, USA. Any unauthorized copying of this drawing by any means or disclosure of its contents to any person not authorized by MELTRIC Corporation or its agents to receive it, is strictly prohibited.



TOLERANCES UNLESS OTHERWISE SPECIFIED			
MACHINED SURFACES	$\sqrt[125]{\text{MAX}}$	ENGLISH	
GROUND SURFACES	$\sqrt[32]{\text{MAX}}$	0.X ± 0.05	
ANGLE TOLERANCE	$\pm 1^\circ$	0.XX ± 0.01	
REMOVE BURRS & SHARP EDGES TO .015 MAX.		0.XXX ± 0.005	
DIMENSIONS SHOWN IN OVALS ARE INSPECTION DIMENSIONS.		DRAWING TITLE: DSDC9 POLY RECEPT., ALL VOLTAGES/AMPERAGES	
		SCALE NTS	MATERIAL: BLUE POLY CASING
		SHEET: 1 OF 1	PART NUMBER 33-94xxx(-xxx) REVISION