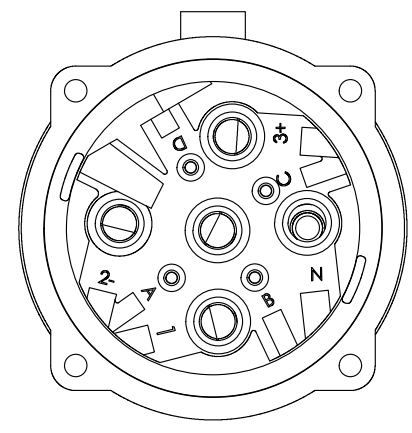
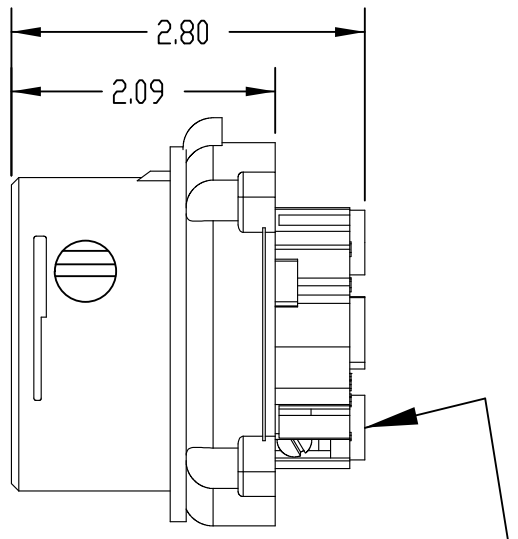
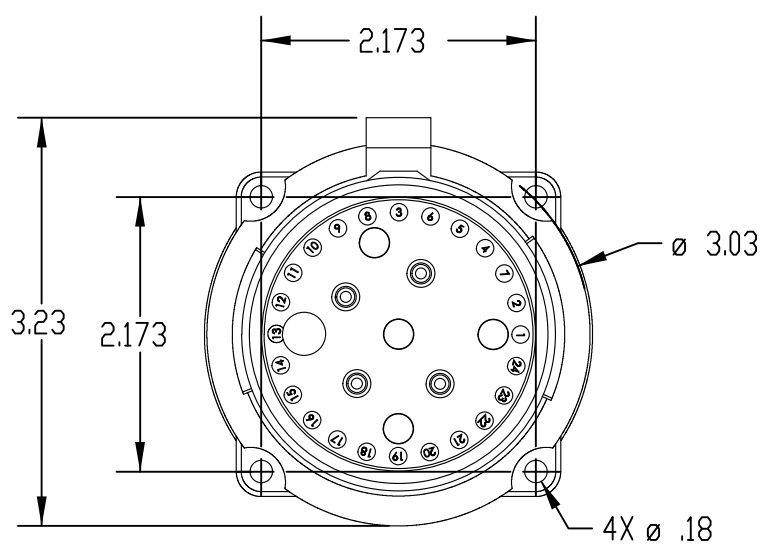
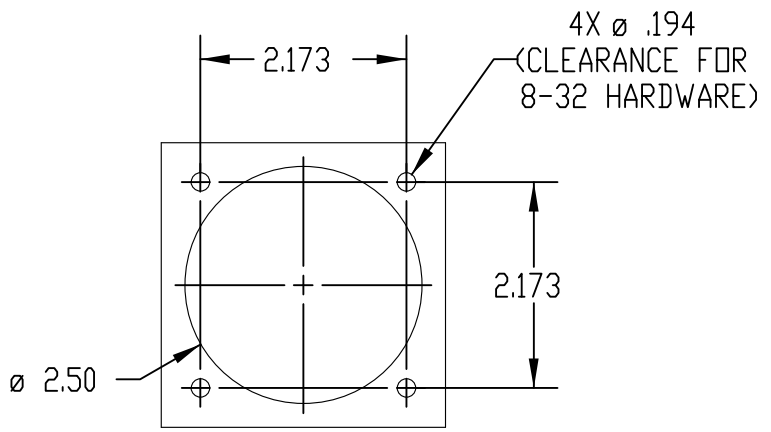


This drawing is the property of MELTRIC Corporation, Franklin (Milwaukee), Wisconsin, USA. Any unauthorized copying of this drawing by any means, or disclosure of its contents to any person not authorized by MELTRIC Corporation or its agents to receive it, is strictly prohibited.



600 AND 750VDC
DEVICES WILL HAVE
JUMPERS & EXTRA
CONTACTS.



ENTRY HOLE PATTERN

TOLERANCES UNLESS OTHERWISE SPECIFIED			
MACHINED SURFACES	125/32 MAX		
GROUND SURFACES	32/32 MAX	0.X ±0.05	DRAWN: _____ APPROVED: _____
ANGLE TOLERANCE	±1°	0.XX ±0.01	
REMOVE BURRS & SHARP EDGES TO .015 MAX.		0.XXX ±0.005	SCALE: NTS
DIMENSIONS SHOWN IN OVALS ARE INSPECTION DIMENSIONS.		DRAWING TITLE: DSDC3 POLY INLET, ALL VOLTAGES/AMPERAGES	
		MATERIAL: BLUE POLY CASING	
		SHEET: 1 OF 1	PART NUMBER: 33-38xxx(-xxx) REVISION: _____

ENG/RD/06 REV: 20 ISSUED DATE: 11/15/11