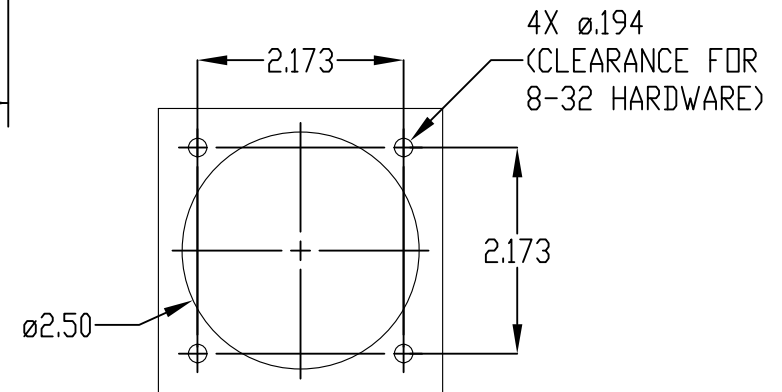
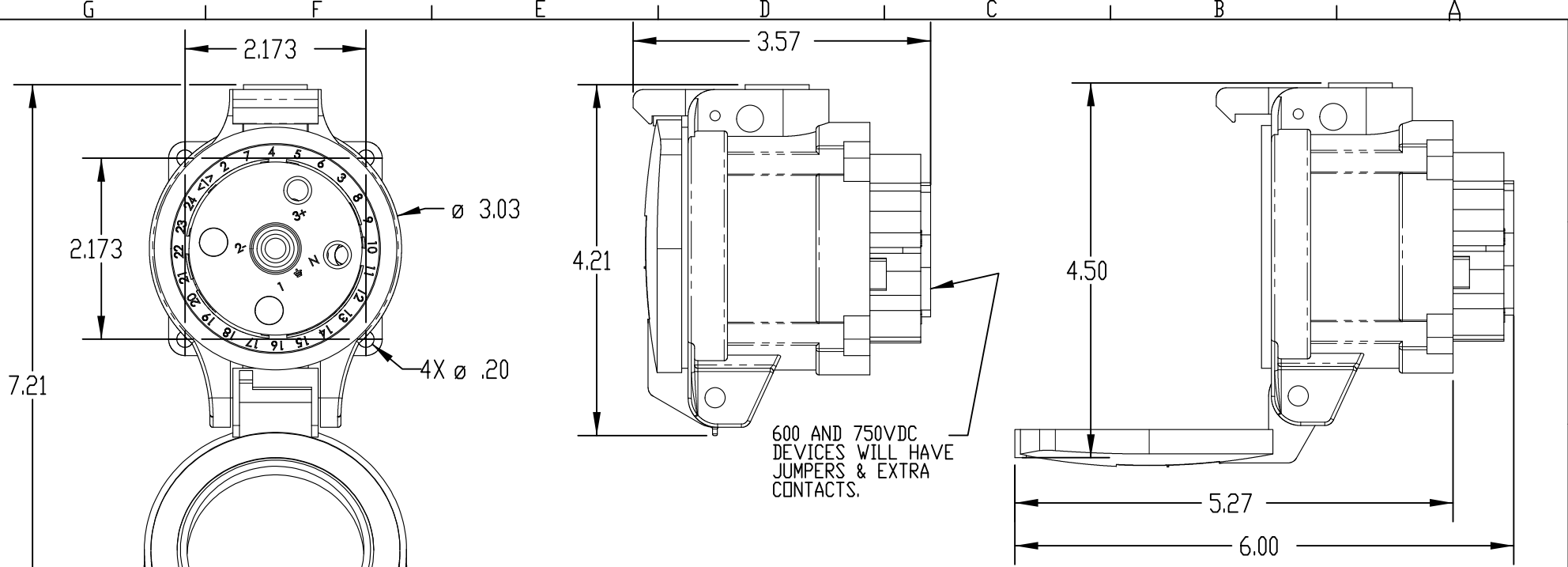
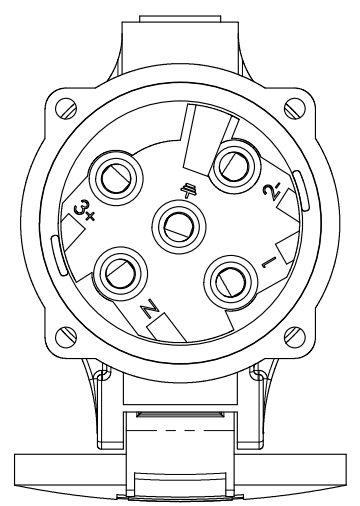


This drawing is the property of MELTRIC Corporation, Franklin (Milwaukee), Wisconsin, USA. Any unauthorized copying of this drawing by any means, or disclosure of its contents to any person not authorized by MELTRIC Corporation or its agents to receive it, is strictly prohibited.



ENTRY HOLE PATTERN



TOLERANCES UNLESS OTHERWISE SPECIFIED			
MACHINED SURFACES $\sqrt[125]{\text{MAX}}$	ENGLISH	DRAWN	APPROVED
GROUND SURFACES $\sqrt[32]{\text{MAX}}$		DRAWING TITLE: DSDC3 RECEPT., ALL VOLTAGES/AMPERAGES	
ANGLE TOLERANCE $\pm 1^\circ$	0.X ± 0.05	DATE:	SCALE
REMOVE BURRS & SHARP EDGES TO .015 MAX.	0.XX ± 0.01		NTS
DIMENSIONS SHOWN IN OVALS ARE INSPECTION DIMENSIONS.	0.XXX ± 0.005		MATERIAL: BLUE POLY CASING
		SHEET: 1 OF 1	PART NUMBER 33-34xxx(-xxx)
			REVISION

1
2
3
4
5
6