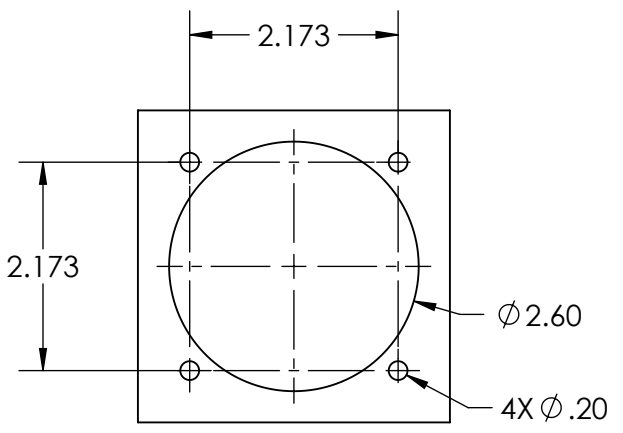
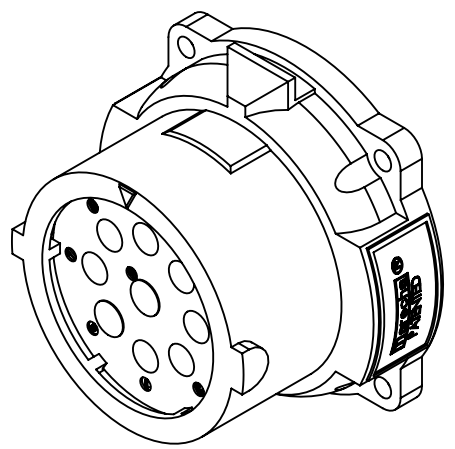
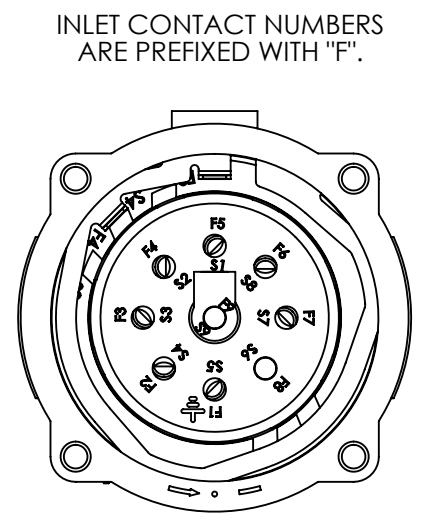
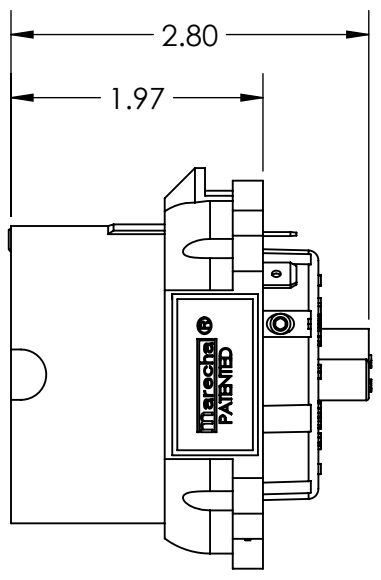
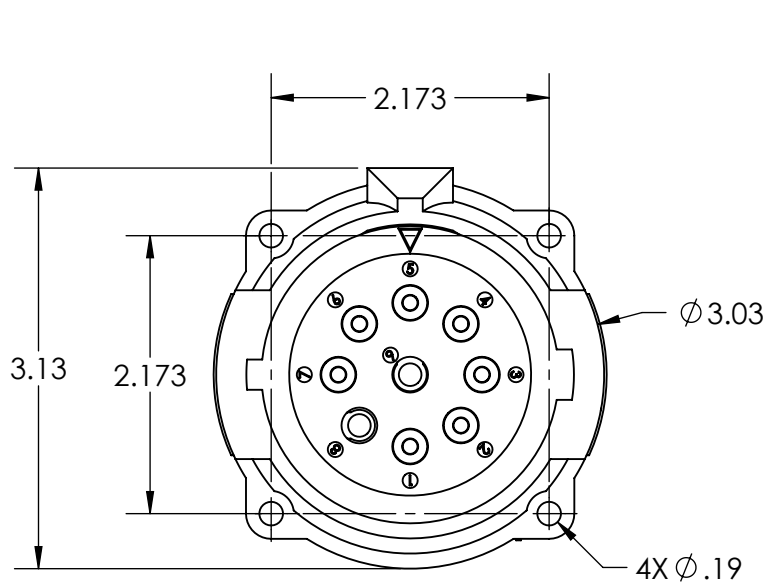


This drawing is the property of MELTRIC Corporation, Franklin (Milwaukee), Wisconsin, USA. Any unauthorized copying of this drawing by any means, ENG/RD/06 REV: 20 ISSUED DATE: 1/15/11 or disclosure of its contents to any person not authorized by MELTRIC Corporation or its agents to receive it, is strictly prohibited.



ENTRY HOLE PATTERN

TOLERANCES UNLESS OTHERWISE SPECIFIED				<b>MELTRIC CORPORATION</b>	
MACHINED SURFACES $\sqrt{125}$ MAX	ENGLISH				
GROUND SURFACES $\sqrt{32}$ MAX	<b>0.X ±0.05</b> <b>0.XX ±0.01</b> <b>0.XXX ±0.005</b>	DATE:		SCALE	MATERIAL:
ANGLE TOLERANCE ±1°		PART NUMBER		REVISION	DRAWING TITLE:
REMOVE BURRS & SHARP EDGES TO .015 MAX.	DIMENSIONS SHOWN IN OVALS ARE INSPECTION DIMENSIONS.	SHEET: 1 OF 1		NTS	BARE METAL CASING
		17-180xx			