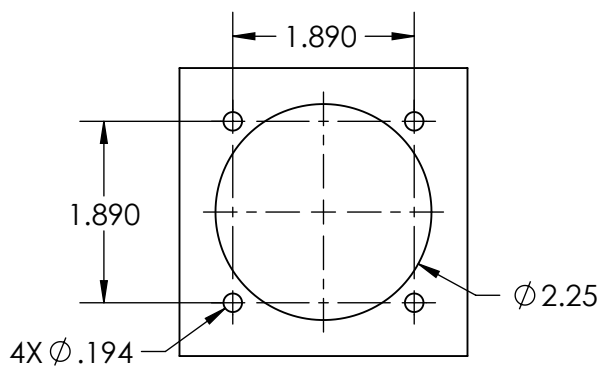
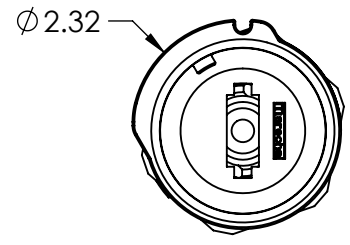
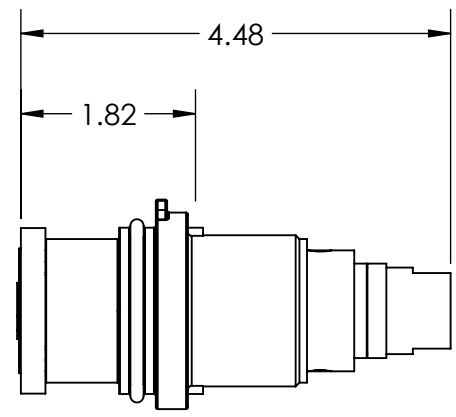
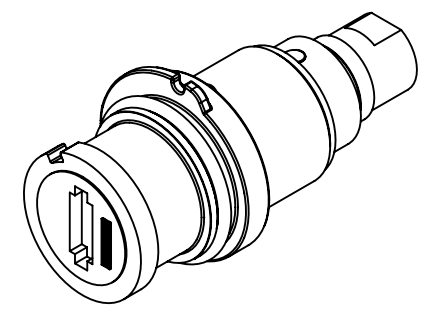
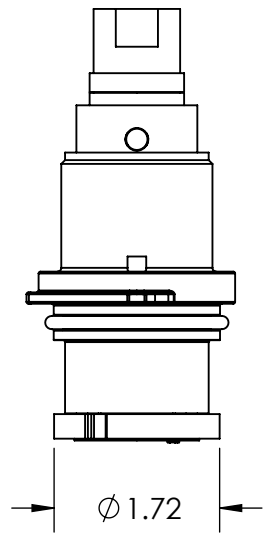


This drawing is the property of MELTRIC Corporation, Franklin (Milwaukee) Wisconsin, USA. Any unauthorized copying of this drawing by any means, ENG/RD/06 REV: 20 ISSUED DATE: 11/15/11 or disclosure of its contents to any person not authorized by MELTRIC Corporation or its agents to receive it, is strictly prohibited.

G F E D C B A

1
2
3
4
5
6



ENTRY HOLE PATTERN
(REQUIRES ADAPTER PLATE
PT# 45-3A540)

TOLERANCES UNLESS OTHERWISE SPECIFIED				DRAWING TITLE:		
MACHINED SURFACES $\sqrt[125]{\text{MAX}}$	ENGLISH $0.X \pm 0.05$ $0.XX \pm 0.01$ $0.XXX \pm 0.005$			DRAWN	APPROVED	CS1000 RECEPTACLE
GROUND SURFACES $\sqrt[32]{\text{MAX}}$		DATE:	SCALE	MATERIAL:		
ANGLE TOLERANCE $\pm 1^\circ$			NTS	BLACK POLY CASING		
REMOVE BURRS & SHARP EDGES TO .015 MAX.		SHEET:	PART NUMBER		REVISION	
DIMENSIONS SHOWN IN OVALS ARE INSPECTION DIMENSIONS.		1 OF 1	45-3400x-P80			