

CS1000

High Amperage Plug and Receptacle



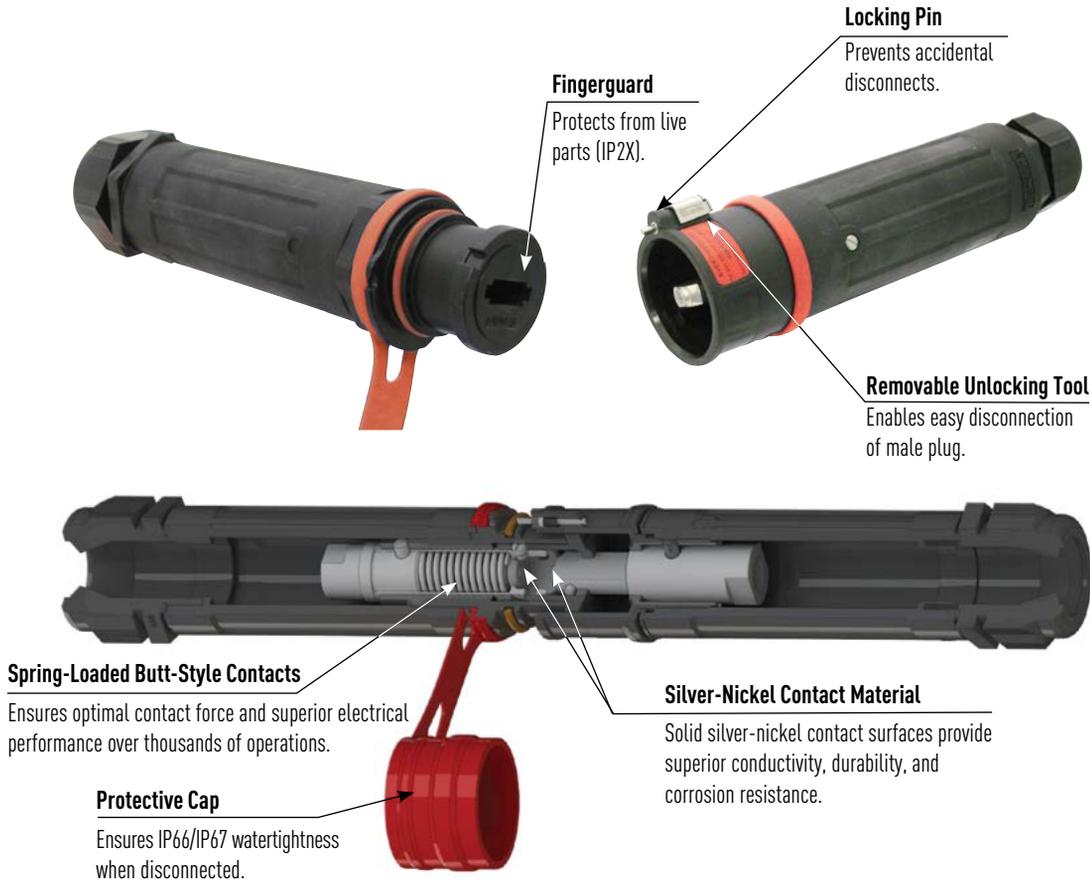
Main Advantages

- ▶ High Amperage Capacity up to 400 A at 600VAC, 600 VDC (in North America) or 1000VAC, 1500 VDC (in Europe - CE rated).
- ▶ Safety features protect users from live parts and prevent unwanted disconnection.
- ▶ Silver-nickel butt contacts provide superior performance and corrosion resistance.



- ▶ Features and Ratings p. 138
- ▶ CS1000 p. 139
- ▶ Dimensions p. 140

PRODUCT FEATURES



Operating Instructions

Connection



Disconnection



General Ratings

Amperage	400 A
Voltage	1000 VAC, 1500 VDC
Frequency	50-400 Hz
Environmental	IP66/IP67
Temperature	min -40°F/max 140°F

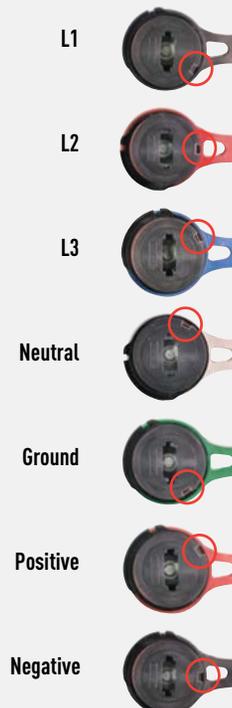
* CS1000 plugs and receptacles are UL listed in accordance with UL 1691. CS1000 devices are for use in non-load break applications up to 400 A at 600VAC, 600 VDC (in North America) or 1000VAC, 1500 VDC (in Europe - CE rated).

Listings

Category	UL	CSA	IEC
Single Pole Plugs and Receptacle	UL 1691	CSA 1691-12	60309-1

Highlighted Feature

5 Mechanical Keying Postions (North America color codes shown.)



CS1000 Standard Duty Plugs & Receptacles

400 A-1000 VAC

Receptacle (female) without lug **Inlet** (male) without lug



! Don't forget to add installation accessories to your order

UL/CSA Ratings

- Amperage**
400 A
Not for Current Interrupting
- Voltage**
600 VAC, 600 VDC
- Short Circuit Rating**
10kA Withstand
Testing was performed with RK1 current limiting fuses sized at at least 100% of the devices ampacity rating.
- Environmental Ratings**
IP66/IP67
- Temperature Range**
Min -40°F / Max 140°F
See pg 258 for temps below -15°F.
- Wiring Capacity**
Min 1/0 AWG / Max 450 MCM
90°C rated wire must be used
- Applicable Standards**
UL 1691
CSA 1691-12

North American Configurations

North American Color Code	Polarity	Part # without lug	Part # without lug
	L1	45-34001-P80	45-38001-P80
	L2	45-34002-P80	45-38002-P80
	L3	45-34003-P80	45-38003-P80
	NEUTRAL	45-3400N-P80	45-3800N-P80
	GROUND	45-3400T-P80	45-3800T-P80
	POSITIVE	45-3400P-P80	45-3800P-P80
	NEGATIVE	45-3400M-P80	45-3800M-P80

IEC/CE Configurations

European Color Code	Polarity	Part # Poly	Part # Poly
	L1	45-34001	45-38001
	L2	45-34002	45-38002
	L3	45-34003	45-38003
	NEUTRAL	45-3400N	45-3800N
	GROUND	45-3400T	45-3800T
	POSITIVE	45-3400P	45-3800P
	NEGATIVE	45-3400M	45-3800M

IEC/CE Ratings

- Amperage**
400 A
Not for Current Interrupting
- Voltage**
1000 VAC, 1500 VDC
- Environmental Ratings**
IP66/IP67
- Temperature Range**
Min -40°F / Max 140°F
See pg 258 for temps below -15°F.
- Wiring Capacity**
Min 1/0 AWG / Max 450 MCM
- Applicable Standards**
CE

INSTALLATION ACCESSORIES – SIZE M

ANGLES

POLY ANGLE			
	0°	45-3A540	Required for mounting on panels, walls, etc.
	30°	45-3A027	With Adapter Plate

ACCESSORIES

INLET CAP	
	45-3A126
UNLOCKING TOOL	
	45-3A396
One unlocking tool on a "valet" style separable key ring is included with each male inlet.	
PADLOCKING TOOL	
	45-3A843

INSTALLATION ACCESSORIES – SIZE M

CRIMPING LUGS



WIRE CAPACITY

Internal Diameter		Straight w/terminal	Straight Threaded	Flexible Wiring*		Course Wiring	
in	mm	Part #	Part #	mm ²	AWG	mm ²	AWG
.43	11	45-4A50C	45-4A50D	50	1/0 ¹	70	2/0
.51	13.1	45-4A70C	45-4A70D	70	2/0	95	3/0
.57	14.5	45-4A95C	45-4A95D	95	3/0	120	4/0
.64	16.2	45-4A12C	45-4A12D	120	250	150	300
.71	18	45-4A15C	45-4A15D	150	300	185	400
.81	20.6	45-4A18C	45-4A18D	185	350	240	450
.91	23.1	45-4A24C	45-4A24D	240	450	300	500

Notes: * Class H & I
¹ The ground conductor for CS1000 series devices shall be limited to a maximum size of 1/0 AWG.

HANDLES

HANDLE	Cable Outside Diameter	Part #	
	.550 - 1.000"	45-3A753	Normal Duty 100 lb grip
	.700 - 1.260"	45-3A783	

Not UL/CSA listed

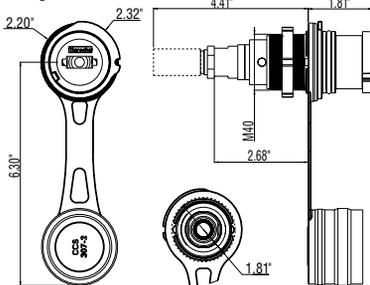
HANDLE w/Cord Grip (Mesh)	Cable Outside Diameter	Part #	Cable Outside Diameter	Part #
	.500 - .625"	45-3A753-A	.875 - 1.000"	45-3A783-A
	.562 - .688"	45-3A753-B	1.000 - 1.125"	45-3A783-B
	.625 - .750"	45-3A753-C	1.125 - 1.250"	45-3A783-C
	.688 - .812"	45-3A753-D	1.250 - 1.375"	45-3A783-D
	.750 - .875"	45-3A753-E		

Heavy-Duty
300 lb grip

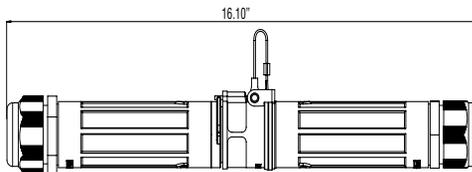
Dimensions Inlet/Receptacle – Provided in inches

Dimensions are for reference only and may change depending on accessories used. For precise dimensions contact MELTRIC Engineering.

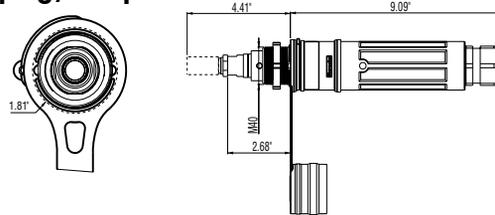
receptacle



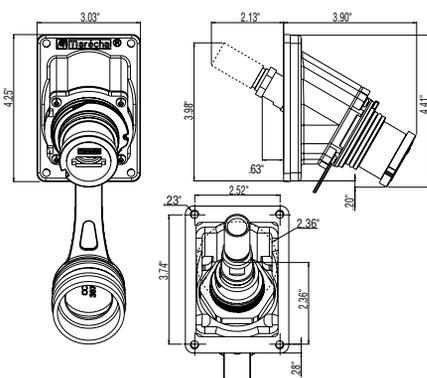
inline connector



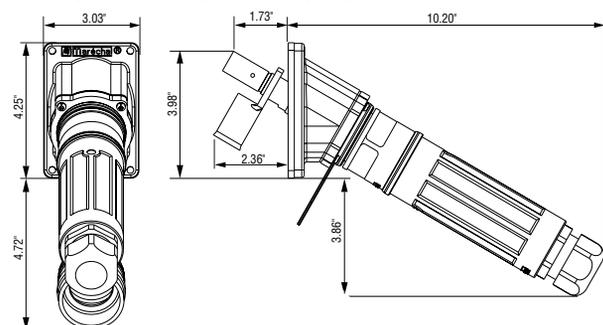
plug/receptacle



30° inclined receptacle / angle



30° receptacle / angle with plug



HIGH AMPACITY